

i20T语音门禁安装示意图



网络、电源、锁的连接



CN7						
1	2	3	4	5	6	7
+12V	-12V	NC	COM	NO	S-I	S-O
+12V 1A/DC			电锁		室内开关	



电锁驱动选择



【注意】当电锁启动电流小于500mA/12V时，可以使用内部驱动模式，直接用语音门禁的POE或12V DC来驱动电锁开/关；如果电锁启动电流大于500mA/12V时，需要使用外部驱动模式，即由专用的门禁直流电源来对电锁进行驱动开/关。

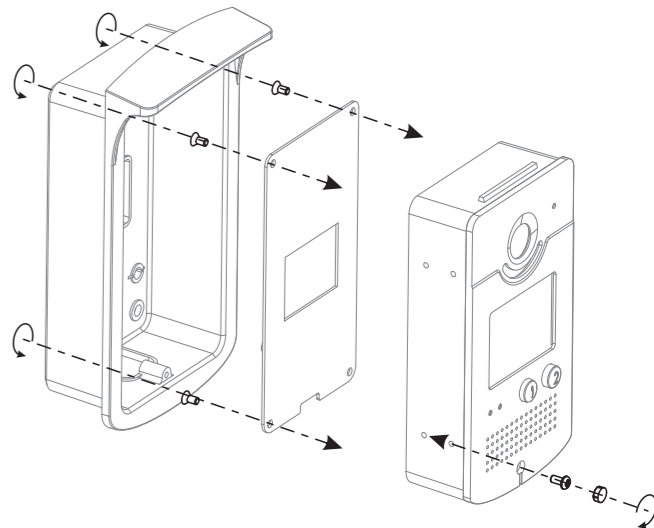
继电器连接说明

NO：空闲状态下是断开的（常开）；
COM：继电器的触点（中间）；
NC：空闲状态下是连通的（常闭）。

锁供电方式		电锁类型		跳线 JP1	接线方式
内部	外部	NO	NC		
✓		✓		内部驱动	<p>12V 12V/1A 电锁(NO常开型) 室内开关 断电开门</p>
✓			✓	内部驱动	<p>12V 电源 12V/1A 电锁(NC常闭型) 室内开关 通电开门</p>
	✓	✓		外部驱动	<p>电锁驱动(外置电源) 门禁电源输入 电源 12V/2A 电锁(NO常开型) 室内开关 断电开门</p>
	✓		✓	外部驱动	<p>电锁驱动(外置电源) 门禁电源输入 电源 12V/2A 电锁(NC常闭型) 室内开关 通电开门</p>

锁供电方式		电锁类型		跳线 JP1	接线方式
内部	外部	NO	NC		
	✓		✓	外部驱动	<p>外置电源 门禁电源输入 电锁(NO常开型) 室内开关 断电开门</p>

安装示意图



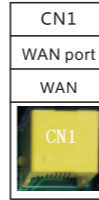
i20T Voice Access Installation Diagram



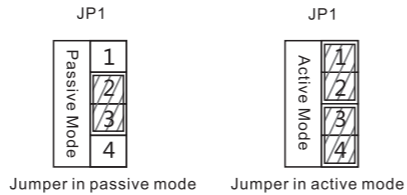
Network, Power, Electric Lock Connection



CN7						
1	2	3	4	5	6	7
+12V	-12V	NC	COM	NO	S-I	S-O
12V 1A/DC		Electric Lock			Indoor switch	



Electric Lock Connection Driver Option



【 Notice 】 When electric current of the electric lock is lower than 500mA/12V, it uses the internal driven mode by the POE or 12V DC to control the electric lock; When the electric current of the electric lock is higher than 500mA/12V, it uses the external driven mode, use specialized DC power to control the electric lock.

Relay connection description

NO: Under the idle state is disconnected (normally open);
COM : Contactor of the Relay (middle);
NC: Under the idle state is connected (normally close);

Driving Mode		Electric lock		Jumper	Mode of connection
Active	Passive	NO	NC	JP1	
✓		✓		Active Mode 1/2/3/4	<p>12V Power Supply 12V/1A Electric-lock (Normally Open Mode) No electricity when open the door</p>
✓			✓	Active Mode 1/2/3/4	<p>12V Power Supply 12V/1A Electric-lock (Normally Close Mode) When the power to open the door</p>
	✓	✓		Passive Mode 1/2/3/4	<p>12V Power Supply 12V/2A Door Phone Power Input Electric lock (normally open type) No electricity when open the door</p>
	✓		✓	Passive Mode 1/2/3/4	<p>12V Power Supply 12V/2A Door Phone Power Input Electric lock (normally closed type) When the power to open the door</p>

Driving Mode		Electric lock		Jumper	Mode of connection
Active	Passive	NO	NC	JP1	
	✓	✓		Passive Mode 1/2/3/4	<p>External Power Supply Door Phone Power Input Electric lock (normally open) Without power to open the door</p>

Installation Diagram

