



EMC COMPLIANCE TEST REPORT

for

IP PHONE

Trade Name : FANVIL
Model Number : H3,H5
Serial Number : N/A
Report Number : PZD1612753-E
Date : December 12, 2016
Regulations : See below

| Standards | Results (Pass/Fail) |
|-------------------------------------|---------------------|
| EN 50561-1:2013+AC:2015; | PASS |
| EN 61000-3-2: 2014; | PASS |
| EN 61000-3-3: 2013; | PASS |
| EN 55024:2010; | PASS |
| EN 61000-4-2: 2009; | PASS |
| EN 61000-4-3: 2006+A1:2008+A2:2010; | PASS |
| EN 61000-4-4: 2012; | PASS |
| EN 61000-4-5: 2014; | PASS |
| EN 61000-4-6: 2014; | PASS |
| EN 61000-4-11: 2004 | PASS |

Prepared for:

**FANVIL TECHNOLOGY CO., LTD.
LEVEL 3, BLOCK A, GAOXINQI BUILDING,
ANHUA INDUSTRIAL PARK, QIANJIN 1 ROAD, 35TH DISTRICT,
BAO'AN, SHENZHEN, 518101 P.R. CHINA.**

Prepared by:

**SHENZHEN PZD TECHNOLOGY CO.,LTD.
10F,EAST TOWER, XINGHUA BUILDING,NO.2018,SHENNAN ROAD,
FUTIAN DISTRICT,SHENZHEN,GUANGDONG,CHINA
TEL: 86-755-6163-6090
FAX: 86-755-6163-6091**

TABLE OF CONTENTS

| | | |
|---|---|----|
| 1 | VERIFICATION OF COMPLIANCE..... | 3 |
| 2 | SYSTEM DESCRIPTION | 4 |
| 3 | PRODUCT INFORMATION..... | 5 |
| 4 | SUPPORT EQUIPMENT | 6 |
| 5 | TEST FACILITY..... | 7 |
| 6 | TEST EQUIPMENT LIST..... | 8 |
| | SECTION 1 LINE CONDUCTED EMISSION | 10 |
| | MEASUREMENT PROCEDURE..... | 10 |
| | BLOCK DIAGRAM OF TEST SETUP | 16 |
| | SUMMARY DATA..... | 17 |
| | SECTION 2 EN 61000-3-2 & EN 61000-3-3 | 21 |
| | SECTION 3 EN 61000-4-2 (ELECTROSTATIC DISCHARGE) | 23 |
| | SECTION 4 EN 61000-4-3 (RADIATED ELECTROMAGNETIC FIELD) | 26 |
| | SECTION 5 EN 61000-4-4 (FAST TRANSIENTS/BURST) | 28 |
| | SECTION 6 EN 61000-4-5 (SURGE IMMUNITY) | 30 |
| | SECTION 7 EN 61000-4-6(CONDUCTED DISTRBANCE/INDUCED BY | 32 |
| | SECTION 8 EN 61000-4-11 (VOLTAGE DIPS, SHORT INTERRUPTIONS..... | 34 |
| | APPENDIX 1 | 36 |
| | PHOTOGRAPHS OF TEST SETUP | 36 |
| | APPENDIX 2 | 42 |
| | PHOTOGRAPHS OF EUT..... | 42 |

1 VERIFICATION OF COMPLIANCE

Equipment Under Test: IP PHONE

Trade Name: FANVIL

Model Number: H3,H5

Serial Number: N/A

EUT Powered during test: DC5V input from ADAPTER POWERED 230VAC and/or POE

Applicant: FANVIL TECHNOLOGY CO., LTD.
LEVEL 3, BLOCK A, GAOXINQI BUILDING,
ANHUA INDUSTRIAL PARK, QIANJIN 1 ROAD, 35TH DISTRICT,
BAO'AN, SHENZHEN, 518101 P.R. CHINA.

Manufacturer: FANVIL TECHNOLOGY CO., LTD.
LEVEL 3, BLOCK A, GAOXINQI BUILDING,
ANHUA INDUSTRIAL PARK, QIANJIN 1 ROAD, 35TH DISTRICT,
BAO'AN, SHENZHEN, 518101 P.R. CHINA.

Type of Test: EMC Directive 2014/30/EU for CE Marking

Technical Standards: EN 50561-1:2013+AC:2015;
EN 61000-3-2: 2014;
EN 61000-3-3: 2013;
EN 55024:2010;
EN 61000-4-2: 2009;
EN 61000-4-3: 2006+A1:2008+A2:2010;
EN 61000-4-4: 2012;
EN 61000-4-5: 2014;
EN 61000-4-6: 2014;
EN 61000-4-11: 2004

File Number: PZD1612753-E

Date of test: December 7, 2016


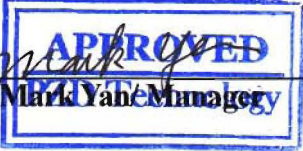
Deviation: None

Condition of Test Sample: Normal

The above equipment was tested by Shenzhen PZD Technology Co.,Ltd. for compliance with the requirements set forth in Directive 2014/30/EU and the Technical Standards mentioned above. This said equipment in the configuration described in this report shows the maximum emission levels emanating from equipment and the level of the immunity endurance of the equipment are within the compliance requirements.

The test results of this report relate only to the tested sample identified in this report.

Approved by Authorized Signatory:



Mark Yan
Technology

2 SYSTEM DESCRIPTION

EUT Test Program:

1. Set up EUT and relative support equipments.
2. Connect the net cable to the EUT and /or the PC,working normally
3. Keep the program running throughout the test.

3 PRODUCT INFORMATION

| | |
|---------------------------------------|---|
| Housing Type: | Plastic |
| EUT Power Rating: | DC 5V from adapter and/or POE |
| Adapter Manufacturer/Model No: | Input:100-240VAC 50-60Hz 0.3A Max Output:5VDC,1A |
| DC Output Cable: | Unshielded, 1.5m |
| Net Cable | Unshielded, 1.5m |
| OSC Frequency | 25MHz |

I/O Port of EUT:

| | I/O Port Type | Q'TY | Tested with |
|----|---------------|------|-------------|
| 1) | RJ45 port | 2 | 2 |
| 2) | DC INLET | 1 | 1 |
| 3) | RJ9 HEADSET | 1 | 1 |
| 4) | USB Port | 1 | 1 |

Difference between model numbers as below:

Model H3 without LCD Display,all tests carried on model H5.

4 SUPPORT EQUIPMENT

| No. | Equipment | Model # | Serial # | Trade Name | Data Cable | Power Cord |
|-----|-----------|---------|-------------------------------|------------|----------------|-----------------|
| 1) | PC | M4600C | NS04619689 | LENOVO | N/A | Unshielded 1.8m |
| 2) | Keyboard | SK-8115 | CN-0J4635-716 16-61 F-1U27 | LENOVO | Shielded 1.8 m | N/A |
| 3) | Mouse | M-S69 | 323614-001 | LENOVO | Shielded 1.8 m | N/A |
| 4) | Monitor | VP201B | A21050402549 | View Sonic | Shielded 1.8 m | Shielded 1.5m |
| | | | | | | |

****Note:** All the above equipment/cables were placed in worse case positions to maximize emission signals during emission test.

Grounding: Grounding was in accordance with the manufacturer's requirements and conditions for the intended use.

5 TEST FACILITY

- Location:** Bldg. 69, Majialong Industrial Zone, Nanshan District, Shenzhen Guangdong, China
- Description:** There are one 3 chamber and one line conducted labs for final test. The 3m chamber and the Line Conducted labs are constructed and calibrated to meet the FCC requirements in documents ANSI C63.4 and CISPR 22/EN 50561-1 requirements.
- Site Accreditation:** Accredited by FCC, April 17, 2016
The Certificate Registration Number. is 709623
Accredited by Industry Canada, November 15, 2016
The Certificate Registration Number. is 46405-4480
Accredited by CNAS , October 29, 2016
The Certificate Registration Number. is L2291
Accredited by VCCI , March 18, 2016
The Certificate Registration Number. is R-2777
- Instrument Tolerance:** All measuring equipment is in accord with ANSI C63.4 and CISPR 22 requirements that meet industry regulatory agency and accreditation agency requirement.
- Ground Plane:** Two conductive reference ground planes were used during the Line Conducted Emission, one in vertical and the other in horizontal. The dimensions of these ground planes are as below. The vertical ground plane was placed distancing 40 cm to the rear of the wooden test table on where the EUT and the support equipment were placed during test. The horizontal ground plane projected 50 cm beyond the footprint of the EUT system and distanced 80 cm to the wooden test table. For Radiated Emission Test, one horizontal conductive ground plane extended at least 1m beyond the periphery of the EUT and the largest measuring antenna, and covered the entire area between the EUT and the antenna. It has no holes or gaps having longitudinal dimensions larger than one-tenth of a wavelength at the highest frequency of measurement up to 1GHz.

6 TEST EQUIPMENT LIST

Instrumentation: The equipment conforms to the CISPR 16-1 / ANSI C63.2-2009 Specifications for Electromagnetic Interference and Field Strength Instrumentation from 10kHz to 1.0 GHz or above.

Equipment used during the tests:

For Conducted Emission Test

| Item | Equipment | Manufacturer | Model No. | Serial No. | Last Cal. | Cal. Interval |
|------|----------------|-----------------|-----------|------------|--------------|---------------|
| 1 | Test Receiver | Rohde & Schwarz | ESCS30 | 828985/018 | May 12, 2016 | 1 Year |
| 2 | L.I.S.N. | Rohde & Schwarz | ESH2-Z5 | 834549/005 | May 12, 2016 | 1 Year |
| 3 | RF Cable | FUJIAKURA | 3D-2W | No.1 | May 12, 2016 | 1 Year |
| 4 | Pulse Limiter | Rohde & Schwarz | ESH3-Z2 | 100006 | May 12, 2016 | 1 Year |
| 5 | Coaxial Switch | Anritsu | MP59B | M20531 | May 12, 2016 | 1 Year |

For Radiation Emission Test

| Item | Equipment | Manufacturer | Model No. | Serial No. | Last Cal. | Cal. Interval |
|------|-------------------|--------------|-----------|------------|--------------|---------------|
| 1 | Spectrum Analyzer | ADVANTENT | R3132 | N/A | May 12, 2016 | 1 Year |
| 2 | LISN(EUT) | EMCO | 3825/2 | 1371 | May 12, 2016 | 1 Year |
| 3 | LISN | EMCO | 3825/2 | 8901-1459 | May 12, 2016 | 1 Year |
| 4 | Spectrum Analyzer | ADVANTENT | R3132 | N/A | May 12, 2016 | 1 Year |

For Harmonic & Flicker Test

| Item | Equipment | Manufacturer | Model No. | Serial No. | Last Cal. | Cal. Interval |
|------|------------------------|--------------|-----------|------------|--------------|---------------|
| 1. | Power Frequency System | HAEFELY | PHF555 | 080419-03 | May 12, 2016 | 1Year |
| 2. | PC | N/A | P2L97 | N/A | N/A | N/A |

For Electrostatic Discharge Immunity Test

| Item | Equipment | Manufacturer | Model No. | Serial No. | Last Cal. | Cal. Interval |
|------|------------|--------------|-----------|------------|--------------|---------------|
| 1. | ESD Tester | HAEFELY | PESD1600 | H708159 | May 12, 2016 | 1 Year |

For RF Strength Susceptibility Test

| Item | Equipment | Manufacturer | Model No. | Serial No. | Last Cal. | Cal. Interval |
|------|------------------|--------------|---------------------|------------|--------------|---------------|
| 1. | Signal Generator | Maconi | 2022D | 119246/003 | May 12, 2016 | 1 Year |
| 2. | Power Amplifier | M2S | A00181/ 1000 | 9801-112 | May 12, 2016 | 1 Year |
| 3. | Power Amplifier | M2S | AC8113/ 800-250A | 9801-179 | May 12, 2016 | 1 Year |
| 4. | Power Antenna | SCHAFFNER | CBL6140A | 1204 | May 12, 2016 | 1 Year |

For Electrical Fast Transient /Burst Immunity Test

| Item | Equipment | Manufacturer | Model No. | Serial No. | Last Cal. | Cal. Interval |
|------|----------------|--------------|-----------|------------|--------------|---------------|
| 1. | Burst Tester | HAEFELY | PEFT4010 | 080981-16 | May 12, 2016 | 1 Year |
| 2 | Coupling Clamp | HAEFELY | IP-4A | 147147 | May 12, 2016 | 1 Year |

For Surge Immunity Test

| Item | Equipment | Manufacturer | Model No. | Serial No. | Last Cal. | Cal. Interval |
|------|--------------|--------------|-----------|------------|--------------|---------------|
| 1. | Surge Tester | HAEFELY | PSURGE4.1 | 080107-04 | May 12, 2016 | 1 Year |

For Injected Current Susceptibility Test

| Item | Equipment | Manufacturer | Model No. | Serial No. | Last Cal. | Cal. Interval |
|------|-----------------|--------------|-------------|------------|--------------|---------------|
| 1. | Simulator | EMTEST | CWS500C | 0900-12 | May 12, 2016 | 1 Year |
| 2. | CDN | EMTEST | CDN-M2 | 5100100100 | May 12, 2016 | 1 Year |
| 3. | CDN | EMTEST | CDN-M3 | 0900-11 | May 12, 2016 | 1 Year |
| 4 | Injection Clamp | EMTEST | F-2031-23MM | 368 | May 12, 2016 | 1 Year |
| 5 | Attenuator | EMTEST | ATT6 | 0010222A | May 12, 2016 | 1 Year |

For Magnetic Field Immunity Test

| Item | Equipment | Manufacturer | Model No. | Serial No. | Last Cal. | Cal. Interval |
|------|--------------------------|--------------|-----------|------------|--------------|---------------|
| 1 | Magnetic Field Tester | HAEFELY | MAG100 | 250040.1 | May 12, 2016 | 1 Year |
| 2 | AC Transformer | CHOKUN | TDGC2J-5 | N/A | N/A | N/A |

For Voltage Dips and Interruptions Test

| Item | Equipment | Manufacturer | Model No. | Serial No. | Last Cal. | Cal. Interval |
|------|-------------|--------------|-----------|------------|--------------|---------------|
| 1. | Dips Tester | HAEFELY | Pline1610 | 083732-18 | May 12, 2016 | 1 Year |

The calibrations of the measuring instruments, including any accessories that may effect such calibration, are checked frequently to assure their accuracy. Adjustments are made and correction factors applied in accordance with instructions contained in the manual for the measuring instrument.

SECTION 1 LINE CONDUCTED, COMMON MODE CONDUCTED EMISSION FOR TELECOMMUNICATION PORTS AND RADIATED EMISSION MEASUREMENT PROCEDURE (PRELIMINARY LINE CONDUCTED EMISSION TEST)

- 1) The equipment was set up as per the test configuration to simulate typical actual usage per the user's manual. When the EUT is a tabletop system, a wooden table with a height of 0.8 meters is used and is placed on the ground plane as per EN50561-1 (see Test Facility for the dimensions of the ground plane used). When the EUT is a floor-standing equipment, it is placed on the ground plane which has a 3-12 mm non-conductive covering to insulate the EUT from the ground plane.
- 2) Support equipment, if needed, was placed as per EN50561-1.
- 3) All I/O cables were positioned to simulate typical actual usage as per EN50561-1.
- 4) The EUT received DC power from a adaptor received power through a Line Impedance Stabilization Network (LISN) which supplied power source and was grounded to the ground plane.
- 5) All support equipments received power from a second LISN supplying power of AC 230V/50Hz, if any.
- 6) The EUT test program was started. Emissions were measured on each current carrying line of the EUT using a spectrum Analyzer / Receiver connected to the LISN powering the EUT. The LISN has two monitoring points: Line 1 (Hot Side) and Line 2 (Neutral Side). Two scans were taken: one with Line 1 connected to Analyzer / Receiver and Line 2 connected to a 50 ohm load; the second scan had Line 1 connected to a 50 ohm load and Line 2 connected to the Analyzer / Receiver.
- 7) Analyzer / Receiver scanned from 150kHz to 30MHz for emissions in each of the test modes.
- 8) During the above scans, the emissions were maximized by cable manipulation.
- 9) The following test mode(s) were scanned during the preliminary test:

| Preliminary Conducted Emission Test | | | |
|--|-----------|------------------|-------------------------------------|
| Frequency Range Investigated | | 150KHz TO 30 MHz | |
| Mode of operation | Date | Data Report No. | Worst Mode |
| Normal | 2016-12-7 | H5_000(L, N) | <input checked="" type="checkbox"/> |

Then, the EUT configuration and cable configuration of the above highest emission level were recorded for reference of final testing.

MEASUREMENT PROCEDURE (FINAL LINE CONDUCTED EMISSION TEST)

- 1) EUT and support equipment was set up on the test bench as per step 9 of the preliminary test.
- 2) A scan was taken on both power lines, Line 1 and Line 2, recording at least the six highest emissions. Emission frequency and amplitude were recorded into a computer in which correction factors were used to calculate the emission level and compare reading to the applicable limit. If EUT emission level was less -2dB to the A.V. limit in Peak mode, then the emission signal was re-checked using an Average detector.
- 3) The test data of the worst case condition(s) was reported on the Summary Data page.

Data Sample:

| Freq. MHz | Peak Raw dBuV | Q.P. Raw dBuV | Average Raw dBuV | Q.P. Limit dBuV | Average Limit dBuV | Q.P. Margin dB | Average Margin dB | Note |
|--------------|---------------------|---------------------|---------------------|-----------------------|--------------------------|----------------------|-------------------------|------|
| x.xxx | 43.90 | --- | --- | 56.00 | 46.00 | --- | -2.10 | L 1 |

| | |
|------------|--|
| Freq. | = Emission frequency in MHz |
| Raw dBuV | = Uncorrected Analyzer/Receiver reading |
| Limit dBuV | = Limit stated in standard |
| Margin dB | = Reading in reference to limit |
| Note | = Current carrying line of reading |
| “---“ | = The emission level complied with the Average limits, with at least 2 dB margin, so no further recheck. |

LINE CONDUCTED EMISSION LIMIT

| Frequency | Maximum RF Line Voltage | |
|---------------|-------------------------|-----------|
| | Q.P. | AVERAGE |
| 150kHz-500kHz | 66-56dBuV | 56-46dBuV |
| 500kHz-5MHz | 56dBuV | 46dBuV |
| 5MHz-30MHz | 60dBuV | 50dBuV |

****Note:** The lower limit shall apply at the transition frequency.

EN 50561-1 MEASUREMENT PROCEDURE

(TEST PROCEDURE OF COMMON MODE CONDUCTED EMISSION FOR TELECOMMUNICATION PORTS)

- 1) Selecting ISN for unscreened cable or a current probe for screened cable to take measurement.
- 2) The port of the EUT was connected to the remote side support equipment through the ISN/Current Probe and communication in normal condition.
- 3) Making a overall range scan by using the test receiver controlled by controller and record at least six highest emissions for showing in the test report.
- 4) Emission frequency and amplitude were recorded into a computer in which correction factors were used to calculate the emission level and compare reading to the applicable limit.
- 5) In case of measuring on the screened cable, the current limit shall be applied, otherwise the voltage limit should be applied.
- 6) The following test mode was scanned during the preliminary test:

| COMMON MODE Conducted Emission Test(TELECOMMUNICATION PORTS) | | | |
|--|-----------|------------------|-------------------------------------|
| Frequency Range Investigated | | 150KHz TO 30 MHz | |
| Mode of operation | Date | Data Report No. | Worst Mode |
| Normal | 2016-12-7 | H5 _001 | <input checked="" type="checkbox"/> |

Then, the EUT configuration and cable configuration of the above highest emission level were recorded for reference of final testing.

Data Sample:

| FREQ MHz | PEAK Raw dBuA | QP Raw dBuA | AVG Raw dBuA | QP Limit dBuA | AVG Limit dBuA | QP Margin dB | AVG Margin dB |
|-------------|---------------------|----------------|--------------------|------------------|----------------------|--------------------|---------------------|
| xx.xxx | 61.02 | | | 74.00 | 64.00 | | -3.08 |

Freq. = Emission frequency in MHz

Raw dBuV = Analyzer/Receiver reading + Insertion Loss

Limit dBuV = Limit stated in standard

Margin dB = Reading in reference to limit

Note = Current carrying line of reading

“---“ = The emission level complied with the Average limits, at least 2dB margin limits, so no recheck anymore.

COMMON MODE CONDUCTED EMISSION LIMIT
(TELECOMMUNICATION PORTS)

| Frequency | Current Limits (dBuA) | |
|---------------|-----------------------|---------|
| | Quasi-Peak | AVERAGE |
| 150kHz-500kHz | 84-74 | 74-64 |
| 500kHz-30MHz | 74 | 64 |

****Note:** The lower limit shall apply at the transition frequency.

MEASUREMENT PROCEDURE

(PRELIMINARY RADIATED EMISSION TEST)

- 1) The equipment was set up as per the test configuration to simulate typical actual usage per the user's manual. When the EUT is a tabletop system, a wooden turntable with a height of 0.8 meters is used which is placed on the ground plane as per EN 50561-1 (see Test Facility for the dimensions of the ground plane used). When the EUT is a floor-standing equipment, it is placed on the ground plane which has a 3-12 mm non-conductive covering to insulate the EUT from the ground plane.
- 2) Support equipment, if needed, was placed as per EN 50561-1.
- 3) All I/O cables were positioned to simulate typical actual usage as per EN 50561-1.
- 4) The EUT received from a adapter. Run cpoytest program and other suitable program. All support equipments received AC 230V/50Hz power from socket under the turntable, if any.
- 5) The antenna was placed at 3 meter away from the EUT as stated in EN 50561-1 . The antenna connected to the Analyzer via a cable and at times a pre-amplifier would be used.
- 6) The Analyzer / Receiver quickly scanned from 30MHz to 1000MHz. The EUT test program was started. Emissions were scanned and measured rotating the EUT to 360 degrees and positioning the antenna 1 to 4 meters above the ground plane, in both the vertical and the horizontal polarization, to maximize the emission reading level.
- 7) The following test mode(s) were scanned during the preliminary test:

| Preliminary Radiated Emission Test | | | |
|---|-----------|--------------------|-------------------------------------|
| Frequency Range Investigated | | 30 MHz TO 1000 MHz | |
| Mode of operation | Date | Data Report No. | Worst Mode |
| Normal | 2016-12-7 | H5_002(H, V) | <input checked="" type="checkbox"/> |

Then, the EUT and cable configuration, antenna position, polarization and turntable position of the above highest emission level were recorded for final testing.

MEASUREMENT PROCEDURE (FINAL RADIATED EMISSION TEST)

- 1) EUT and support equipment were set up on the turntable as per step 7 of the preliminary test.
- 2) The Analyzer / Receiver scanned from 30MHz to 1000MHz. Emissions were scanned and measured rotating the EUT to 360 degrees, varying cable placement and positioning the antenna 1 to 4 meters above the ground plane, in both the vertical and the horizontal polarization, to maximize the emission reading level.
- 3) Recorded at least the six highest emissions. Emission frequency, amplitude, antenna position, polarization and turntable position were recorded into a computer in which correction factors were used to calculate the emission level and compare reading to the applicable limit and Q.P./Peak reading is presented.
- 4) The test data of the worst case condition(s) was reported on the Summary Data page.

Data Sample:

| Freq. (MHz) | Raw Data (dBuV/m) | Corr. Factor (dB) | Emiss. Level (dBuV/m) | Limits (dB) | Margin P/Q | Reading Type |
|----------------|-------------------------|-------------------------|-----------------------------|----------------|---------------|-----------------|
| xxx.xxx | 24.03 | 22.25 | 36.28 | 40.00 | -3.72 | P |

| | |
|-------------------|---|
| Freq. | = Emission frequency in MHz |
| Raw Data (dBuV/m) | = Uncorrected Analyzer / Receiver reading |
| Corr. Factor (dB) | = Correction factors of antenna factor and cable loss |
| Emiss. Level | = Raw reading converted to dBuV/m and CF added |
| Limit dBuV/m | = Limit stated in standard |
| Margin dB | = Reading in reference to limit |
| P | =Peak Reading |
| Q | =Quasi-peak |

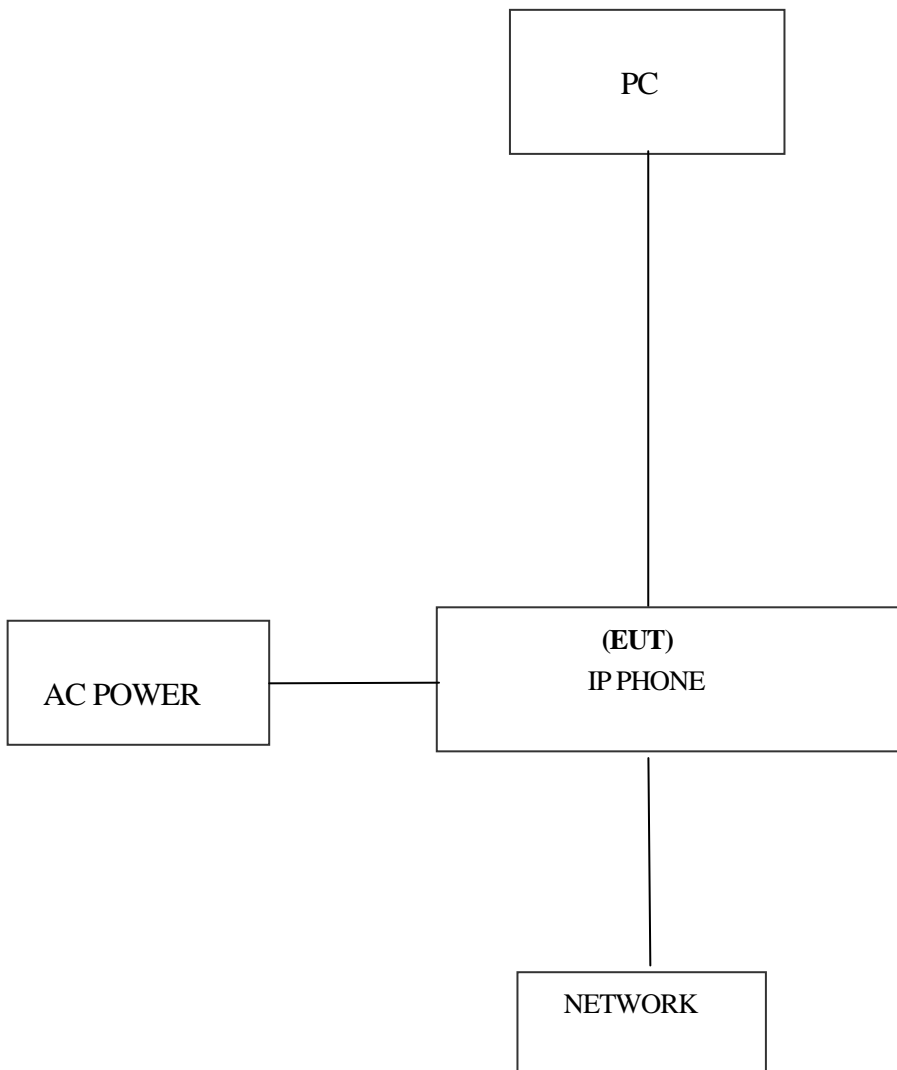
RADIATED EMISSION LIMIT

| Frequency (MHz) | Distance (m) | Maximum Field Strength Limit (dBuV/m/ Q.P.) |
|--------------------|-----------------|--|
| 30-230 | 3 | 40 |
| 230-1000 | 3 | 47 |

****Note:** The lower limit shall apply at the transition frequency.

BLOCK DIAGRAM OF TEST SETUP

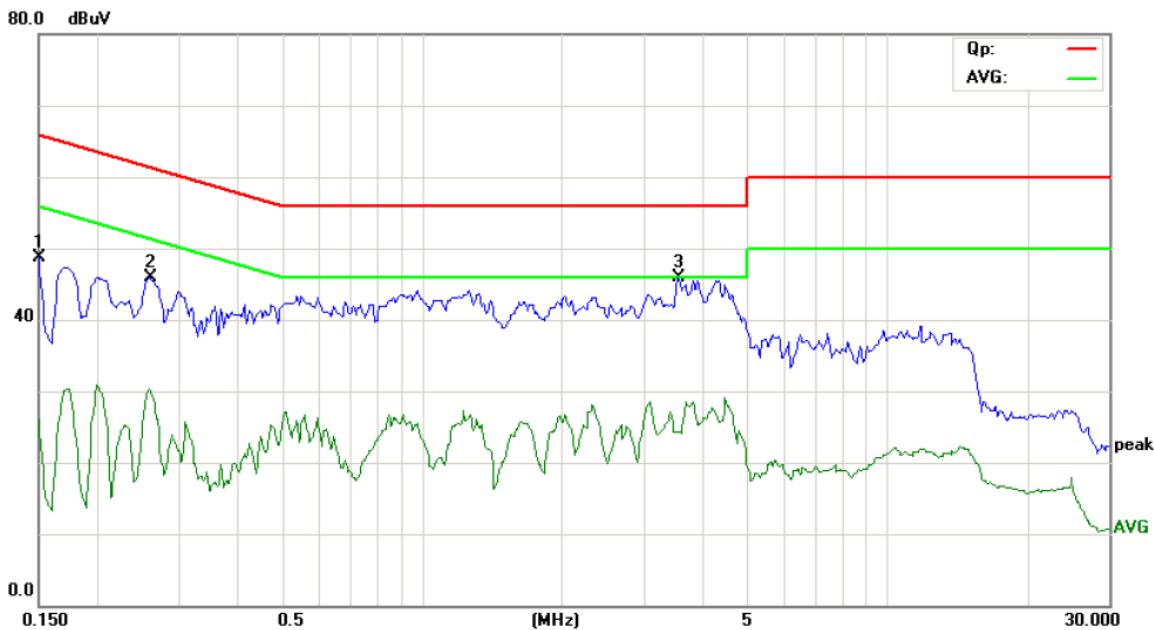
EUT : IP PHONE
Trade Name : FANVIL
Model Number : H3,H5



SUMMARY DATA

Conducted Emission Measurement

File :PZD Data :#334 Date: 2016/12/7 Time: 10:10:41



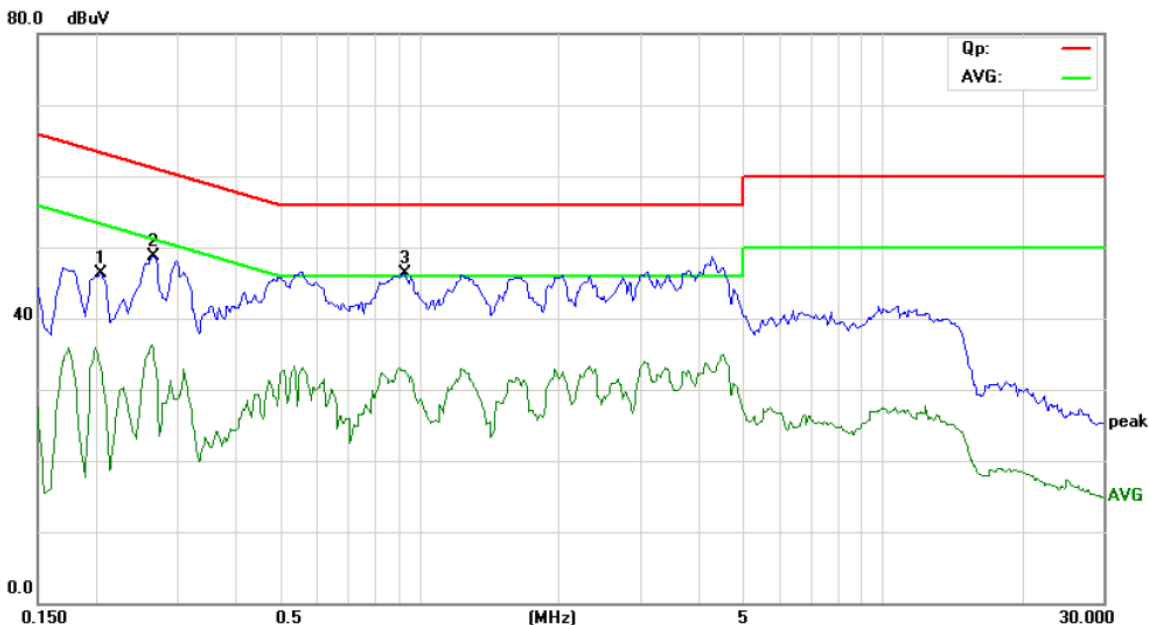
Site site #1 Phase: **L1** Temperature: 26
 Limit: (CE)EN55022 class B_QP Power: AC 230V/50Hz Humidity: 55 %
 EUT: IP PHONE
 M/N: H5
 Mode: ON
 Note:

| No. | Mk. | Freq. MHz | Reading Level dBuV | Correct Factor dB | Measure- ment dBuV | Limit dBuV | Over dB | Detector | Comment |
|-----|-----|--------------|--------------------------|-------------------------|--------------------------|---------------|------------|----------|---------|
| 1 | | 0.1500 | 48.66 | 0.00 | 48.66 | 66.00 | -17.34 | peak | |
| 2 | | 0.2600 | 45.88 | 0.00 | 45.88 | 61.43 | -15.55 | peak | |
| 3 | * | 3.5600 | 45.94 | 0.00 | 45.94 | 56.00 | -10.06 | peak | |

SUMMARY DATA

Conducted Emission Measurement

File :PZD Data :#335 Date: 2016/12/7 Time: 10:13:23

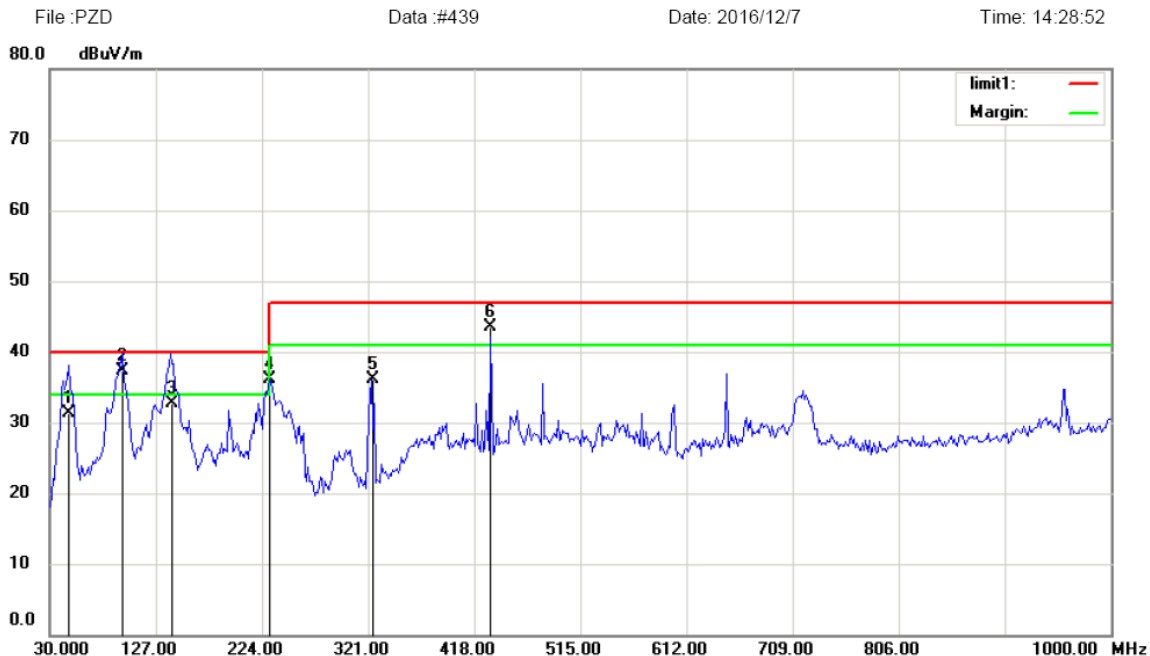


Site site #1 Phase: **N** Temperature: 26
 Limit: (CE)EN55022 class B_QP Power: AC 230V/50Hz Humidity: 55 %
 EUT: IP PHONE
 M/N: H5
 Mode: ON
 Note:

| No. | Mk. | Freq. MHz | Reading Level dBuV | Correct Factor dB | Measure- ment dBuV | Limit dBuV | Over dB | Detector | Comment |
|-----|-----|--------------|--------------------------|-------------------------|--------------------------|---------------|------------|----------|---------|
| 1 | | 0.2050 | 46.21 | 0.00 | 46.21 | 63.41 | -17.20 | peak | |
| 2 | | 0.2650 | 48.70 | 0.00 | 48.70 | 61.27 | -12.57 | peak | |
| 3 | * | 0.9300 | 46.31 | 0.00 | 46.31 | 56.00 | -9.69 | peak | |

SUMMARY DATA

Radiated Emission Measurement



Site site #1 Polarization: **Vertical** Temperature: 25
 Limit: (RE)EN CLASS B Power:230VAC,50Hz Humidity: 50 %
 EUT: IP PHONE
 M/N: H5
 Mode:NORMAL
 Note:

| No. | Mk. | Freq. MHz | Reading Level dBuV | Correct Factor dB | Measure- ment dBuV/m | Limit dBuV/m | Over dB | Detector | Antenna Height cm | Table Degree | Comment |
|-----|-----|--------------|--------------------------|-------------------------|----------------------------|-----------------|------------|----------|-------------------------|-----------------|---------|
| 1 | | 47.0000 | 17.39 | 13.98 | 31.37 | 40.00 | -8.63 | QP | | | |
| 2 | * | 96.3000 | 24.00 | 13.28 | 37.28 | 40.00 | -2.72 | QP | | | |
| 3 | | 140.7000 | 23.90 | 8.84 | 32.74 | 40.00 | -7.26 | QP | | | |
| 4 | | 230.5288 | 22.81 | 13.27 | 36.08 | 47.00 | -10.92 | QP | | | |
| 5 | | 323.7981 | 21.49 | 14.64 | 36.13 | 47.00 | -10.87 | QP | | | |
| 6 | ! | 431.9900 | 26.00 | 17.54 | 43.54 | 47.00 | -3.46 | QP | | | |

SUMMARY DATA

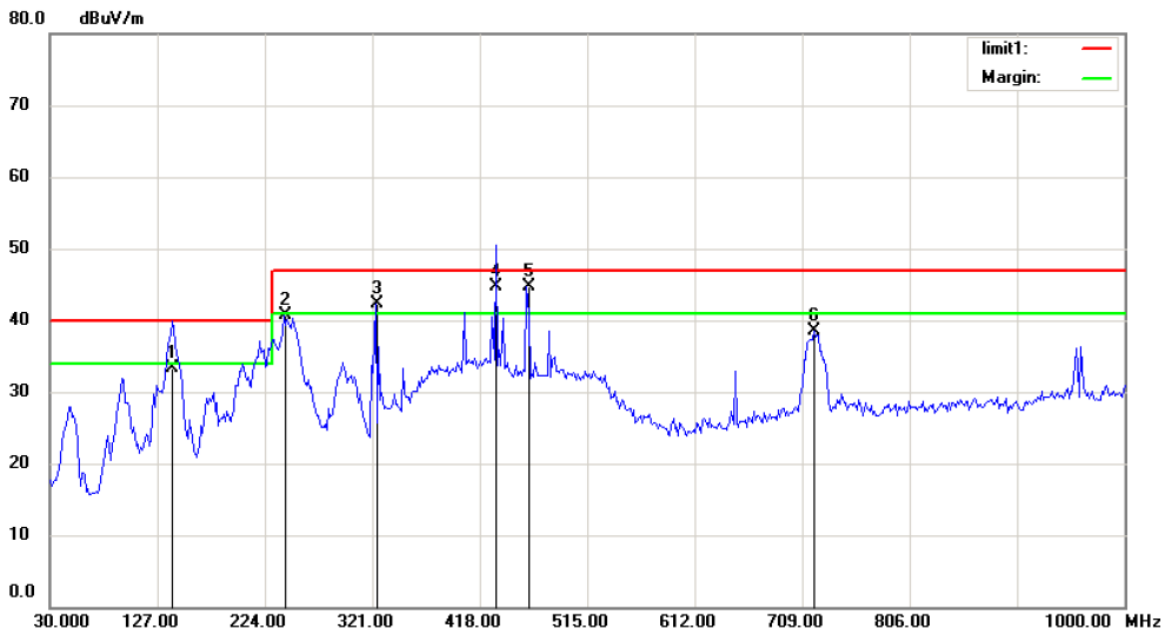
Radiated Emission Measurement

File :PZD

Data :#442

Date: 2016/12/7

Time: 14:45:09



Site site #1

Polarization: *Horizontal*

Temperature: 25

Limit: (RE)EN CLASS B

Power:230VAC,50Hz

Humidity: 50 %

EUT: IP PHONE

M/N: H5

Mode:NORMAL

Note:

| No. | Mk. | Freq. | Reading Level | Correct Factor | Measurement | Limit | Over | Antenna Height | Table Degree | |
|-----|-----|----------|---------------|----------------|-------------|--------|-------|----------------|--------------|---------|
| | | MHz | dBuV | dB | dBuV/m | dBuV/m | dB | cm | degree | Comment |
| 1 | | 140.1280 | 24.40 | 8.82 | 33.22 | 40.00 | -6.78 | | | QP |
| 2 | | 241.4103 | 27.41 | 13.22 | 40.63 | 47.00 | -6.37 | | | QP |
| 3 | ! | 323.7981 | 27.65 | 14.66 | 42.31 | 47.00 | -4.69 | | | QP |
| 4 | ! | 431.9960 | 26.20 | 18.53 | 44.73 | 47.00 | -2.27 | | | QP |
| 5 | * | 460.5930 | 26.04 | 18.73 | 44.77 | 47.00 | -2.23 | | | QP |
| 6 | | 720.1923 | 15.65 | 22.88 | 38.53 | 47.00 | -8.47 | | | QP |

SECTION 2 EN 61000-3-2 & EN 61000-3-3 (POWER HARMONICS & VOLTAGE FLUCTUATION / FLICKER)

POWER HARMONICS MEASUREMENT

Port : AC mains

Basic Standard : EN 61000-3-2

Limits : CLASS A; CLASS D

Temperature : 25°C

Humidity : 50%

VOLTAGE FLUCTUATION/FLICKER MEASUREMENT

Port : AC mains

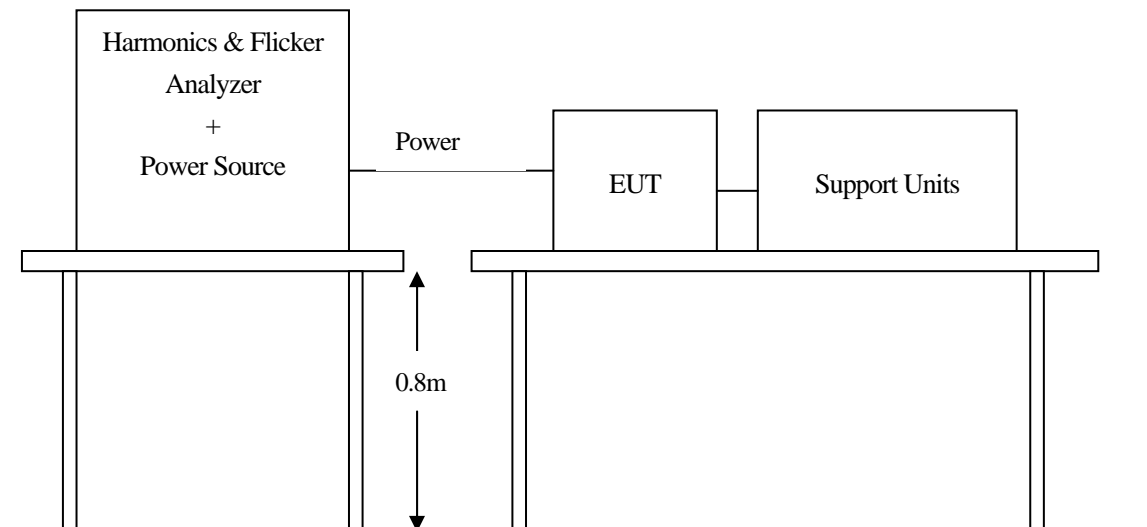
Basic Standard : EN 61000-3-3

Limits : § 5 of EN 61000-3-3

Temperature : 25°C

Humidity : 50%

Block Diagram of Test Setup:



Result:

Please see the attached test data. According to the standard ,EN61000-3-2 need not to be carried out.

Flicker Test Summary per EN/IEC61000-3-3 (Run time)

EUT: IP PHONE (H5) Tested by: XU
 Test category: All parameters (European limits) Test Margin: 100
 Test date: 2016-12-7 Start time: 21:23:26 End time: 21:33:47
 Test duration (min): 10 Data file name: F-001540.cts_data
 Comment: ON
 Customer: PZD

Test Result: Pass

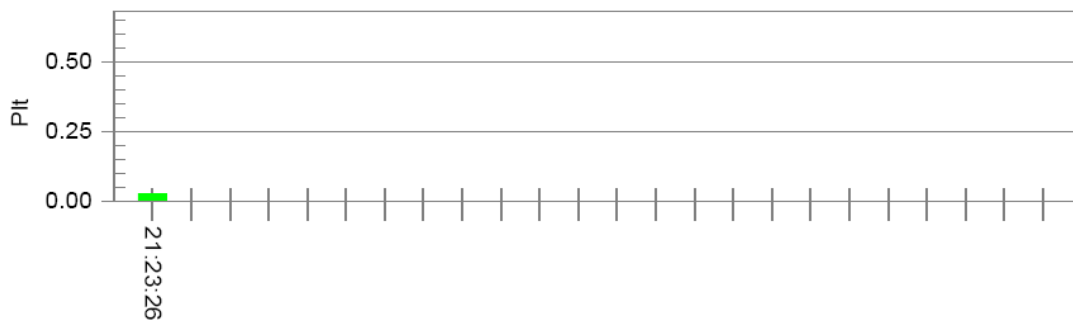
Status: Test Completed

Pst_i and limit line

European Limits



Plt and limit line



Parameter values recorded during the test:

| | | | |
|---------------------------------|--------|------------------|------------|
| Vrms at the end of test (Volt): | 229.88 | | |
| Highest dt (%): | 0.00 | Test limit (%): | 3.30 Pass |
| Time(mS) > dt: | 0.0 | Test limit (mS): | 500.0 Pass |
| Highest dc (%): | 0.00 | Test limit (%): | 3.30 Pass |
| Highest dmax (%): | 0.00 | Test limit (%): | 4.00 Pass |
| Highest Pst (10 min. period): | 0.064 | Test limit: | 1.000 Pass |
| Highest Plt (2 hr. period): | 0.028 | Test limit: | 0.650 Pass |

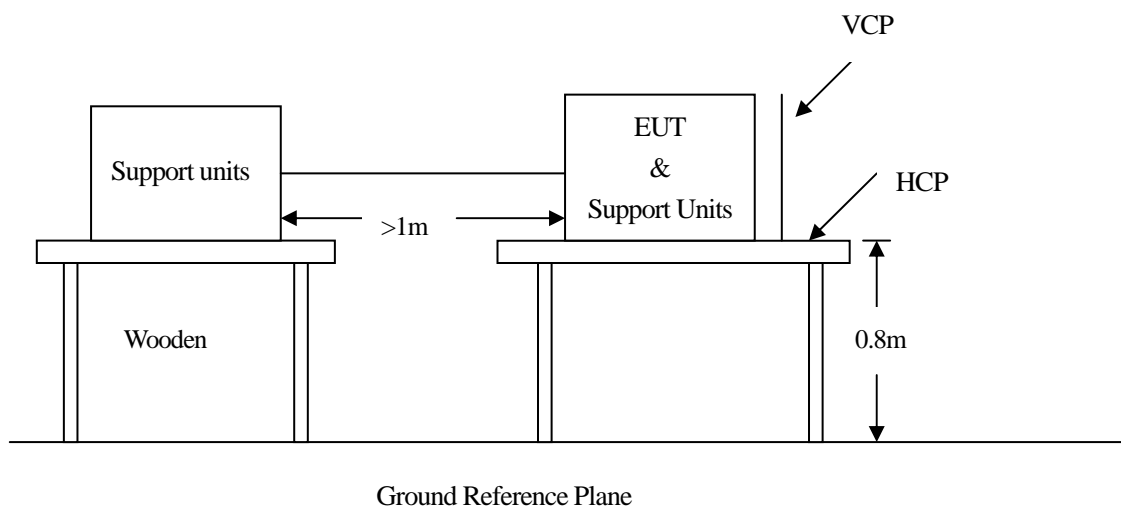
SECTION 3 EN 61000-4-2 (ELECTROSTATIC DISCHARGE)

ELECTROSTATIC DISCHARGE (ESD) IMMUNITY TEST

| | | |
|----------------------|---|--|
| Port | : | Enclosure |
| Basic Standard | : | EN 61000-4-2 |
| Test Level | : | ± 8 kV (Air Discharge) ± 4 kV (Contact Discharge) |
| Performance Criteria | : | B (Standard require) |
| Temperature | : | 25°C |
| Humidity | : | 50% |

Block Diagram of Test Setup:

(The 470 k ohm resistors are installed per standard requirement)



Test Procedure:

1. The EUT was located 0.1 m minimum from all side of the HCP.
2. The support units were located 1 m minimum away from the EUT.
3. Set up EUT and relative support equipments. Then ping the IP from PC to EUT.Keep the program running throughout the test.
4. Active the communication function if the EUT with such port(s).
5. As per the requirement of EN 55024; applying direct contact discharge at the sides other than front of EUT at minimum 50 discharges (25 positive and 25 negative) if applicable, can't be applied direct contact discharge side of EUT then the indirect discharge shall be applied. One of the test points shall be subjected to at least 50 indirect discharge (contact) to the front edge of horizontal coupling plane.
6. Other parts of EUT where it is not possible to perform contact discharge then selecting appropriate points of EUT for air discharge, a minimum of 10 single air discharges shall be applied.
7. The application of ESD to the contact of open connectors is not required.
8. Putting a mark on EUT to show tested points. The following test condition was followed during the tests.

Note: As per the A2 to EN 61000-4-2, a bleed resistor cable is connected between the EUT and HCP during the test.

The electrostatic discharges were applied as follows:

| Amount of Discharges | Voltage | Coupling | Result (Pass/Fail) |
|----------------------|--|--------------------------------|--------------------|
| Mini 25 /Point | $\pm 2\text{kV}; \pm 4\text{kV}; \pm 8\text{kV}$ | Contact Discharge | Pass |
| Mini 25 /Point | $\pm 2\text{kV}; \pm 4\text{kV}; \pm 8\text{kV}$ | Indirect Discharge HCP (Front) | Pass |
| Mini 25 /Point | $\pm 2\text{kV}; \pm 4\text{kV}; \pm 8\text{kV}$ | Indirect Discharge VCP (Left) | Pass |
| Mini 25 /Point | $\pm 2\text{kV}; \pm 4\text{kV}; \pm 8\text{kV}$ | Indirect Discharge VCP (Back) | Pass |
| Mini 25 /Point | $\pm 2\text{kV}; \pm 4\text{kV}; \pm 8\text{kV}$ | Indirect Discharge VCP (Right) | Pass |
| Mini 10 /Point | $\pm 2\text{kV}; \pm 4\text{kV}; \pm 8\text{kV}$ | Air Discharge | Pass |

Performance & Result:

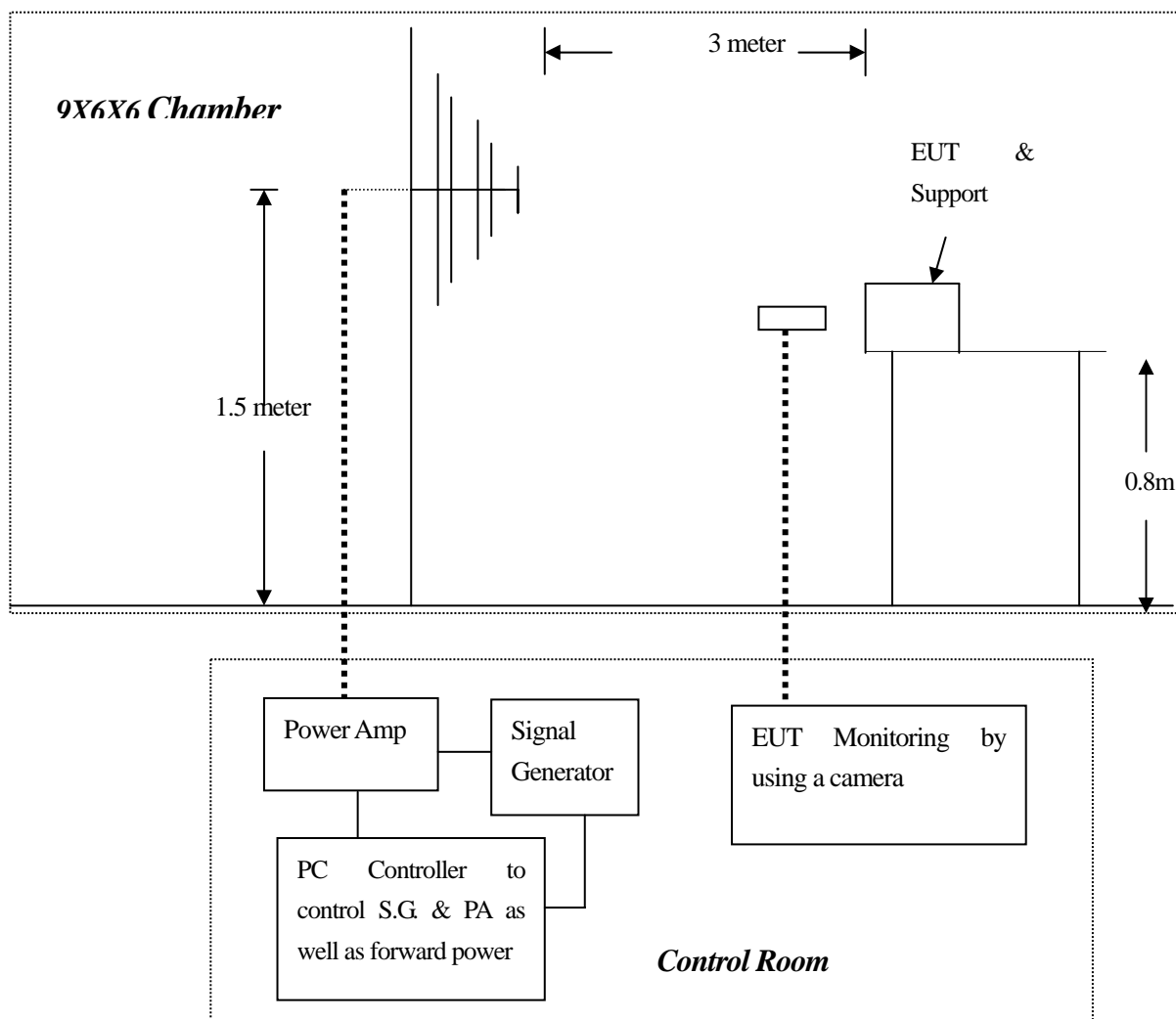
- Criteria A:** The apparatus continues to operate as intended. No degradation of performance or loss of function is allowed below a performance level specified by the manufacturer, when the apparatus is used as intended. In some cases the performance level may be replaced by a permissible loss of performance.
- Criteria B:** The apparatus continues to operate as intended after the test. No degradation of performance or loss of function is allowed below a performance level specified by the manufacturer, when the apparatus is used as intended. In some cases the performance level may be replaced by a permissible loss of performance. During the test, degradation of performance is however allowed.
- Criteria C:** Temporary loss of function is allowed, provided the functions self recoverable or can be restored by the operation of controls.

SECTION 4 EN 61000-4-3 (RADIATED ELECTROMAGNETIC FIELD)

RADIATED ELECTROMAGNETIC FIELD IMMUNITY TEST

| | | |
|----------------------|---|-------------------------------------|
| Port | : | Enclosure |
| Basic Standard | : | EN 61000-4-3: |
| Requirements | : | 3 V/m with 80% AM. 1kHz Modulation. |
| Performance Criteria | : | A (Standard require) |
| Temperature | : | 25°C |
| Humidity | : | 50% |

Block Diagram of Test Setup:



Test Procedure:

1. The EUT was located at the edge of supporting table keep 3 meter away from transmitting antenna, it just the calibrated square area of field uniformity. The support units were located outside of the uniformity area, but the cable(s) connected with EUT were exposed to the calibrated field as per EN 61000-4-3.
2. EUT was loaded and executed normally.
3. Setting the testing parameters of RS test software per EN 61000-4-3.
4. Performing the pre-test at each side of with double specified level (6V/m) at 4% steps.
5. From the result of pre-test in step 4, choose the worst side of EUT for final test from 80 MHz to 1000 MHz at 1% steps.
6. Recording the test result in following table.
7. It is not necessary to perform test as per annex A of EN 55024 if the EUT doesn't belong to TTE product.

EN 61000-4-3 test conditions:

Test level : 6V/m
Steps 1 % of fundamental
Dwell Time : 1 sec

| Range (MHz) | Field | Modulation | Polarity | Position (°) | Result (Pass/Fail) |
|-------------|-------|------------|----------|--------------|--------------------|
| 80-1000 | 3V/m | Yes | H | Front | Pass |
| 80-1000 | 3V/m | Yes | V | Front | Pass |
| 80-1000 | 3V/m | Yes | H | Right | Pass |
| 80-1000 | 3V/m | Yes | V | Right | Pass |
| 80-1000 | 3V/m | Yes | H | Back | Pass |
| 80-1000 | 3V/m | Yes | V | Back | Pass |
| 80-1000 | 3V/m | Yes | H | Left | Pass |
| 80-1000 | 3V/m | Yes | V | Left | Pass |

Performance & Result:

- Criteria A:** The apparatus continues to operate as intended. No degradation of performance or loss of function is allowed below a performance level specified by the manufacturer, when the apparatus is used as intended. In some cases the performance level may be replaced by a permissible loss of performance.
- Criteria B:** The apparatus continues to operate as intended after the test. No degradation of performance or loss of function is allowed below a performance level specified by the manufacturer, when the apparatus is used as intended. In some cases the performance level may be replaced by a permissible loss of performance. During the test, degradation of performance is however allowed.
- Criteria C:** Temporary loss of function is allowed, provided the functions self-recoverable or can be restored by the operation of controls.

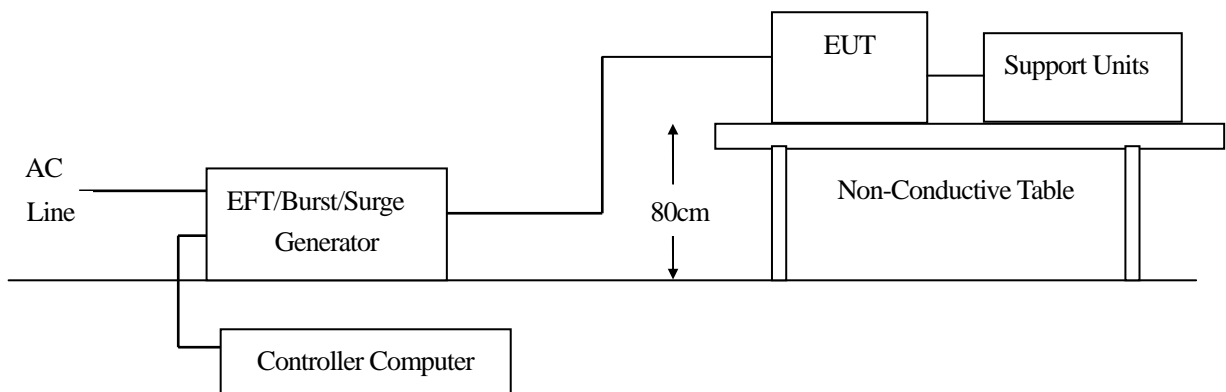
| |
|--|
| <input checked="" type="checkbox"/> PASS <input type="checkbox"/> FAILED |
|--|

SECTION 5 EN 61000-4-4 (FAST TRANSIENTS/BURST)

FAST TRANSIENTS/BURST IMMUNITY TEST

| | |
|-----------------------------|----------------------------------|
| Port | : On Power Supply Lines |
| Basic Standard | : EN 61000-4-4: |
| Requirements | : +/- 1kV for Power Supply Lines |
| Performance Criteria | : B (Standard require) |
| Temperature | : 25°C |
| Humidity | : 50% |

Block Diagram of Test Setup:



Test Procedure:

1. The EUT and support units were located on a wooden table 0.8 m away from ground reference plane.
2. A 1.0 meter long power cord was attached to EUT during the test.
3. The length of communication cable between communication port and clamp was keeping within 1 meter.
4. Set up all the devices regularly according to the standard.
5. Set up EUT and relative support equipments. Then ping the IP from PC to EUT .Keep the program running throughout the test.
6. Related peripherals work during the test.
7. Recording the test result as shown in following table.

Test conditions:

Impulse Frequency: 5kHz

Tr/Th: 5/50ns

Burst Duration: 15ms

Burst Period: 300ms

| Inject Line | Voltage kV | Inject Method | Result (Pass/Fail) |
|-------------|------------|---------------|--------------------|
| L | +/- 1 | Direct | Pass |
| N | +/- 1 | Direct | Pass |
| PE | +/- 1 | Direct | Pass |
| L+N | +/- 1 | Direct | Pass |
| L+PE | +/- 1 | Direct | Pass |
| N+PE | +/- 1 | Direct | Pass |
| L+N+PE | +/- 1 | Direct | Pass |

Performance & Result:

- Criteria A:** The apparatus continues to operate as intended. No degradation of performance or loss of function is allowed below a performance level specified by the manufacturer, when the apparatus is used as intended. In some cases the performance level may be replaced by a permissible loss of performance.
- Criteria B:** The apparatus continues to operate as intended after the test. No degradation of performance or loss of function is allowed below a performance level specified by the manufacturer, when the apparatus is used as intended. In some cases the performance level may be replaced by a permissible loss of performance. During the test, degradation of performance is however allowed.
- Criteria C:** Temporary loss of function is allowed, provided the functions self recoverable or can be restored by the operation of controls.

| | |
|---|--|
| <input checked="" type="checkbox"/> PASS | <input type="checkbox"/> FAILED |
|---|--|

SECTION 6 EN 61000-4-5 (SURGE IMMUNITY)

SURGE IMMUNITY TEST

Port : On Power Supply Lines
Basic Standard : EN 61000-4-5

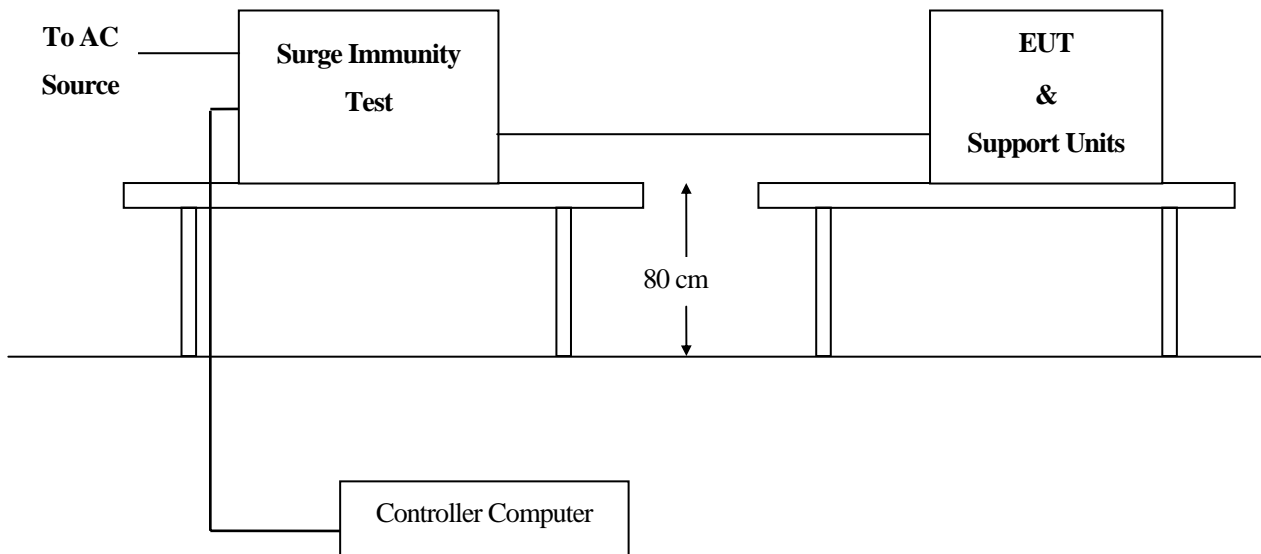
Requirements : +/- 1kV (Line to Line)
: +/- 2kV (Line to Ground)

Performance Criteria : B (Standard require)

Temperature : 25°C

Humidity : 50%

Block Diagram of Test Setup:



Test Procedure:

1. The EUT and support units were located on a wooden table 0.8 m away from ground floor.
2. Set up all the devices regularly according to the standard.
3. Set up EUT and relative support equipments. Then ping the IP from PC to EUT .Keep the program running throughout the test
4. Related peripherals work during the test.
5. Recording the test result as shown in following table.

Test conditions:

Voltage Waveform : 1.2/50 *us*
Current Waveform : 8/20 *us*
Polarity : Positive/Negative
Phase angle : 0°, 90°, 270°
Number of Test : 5

| Coupling Line | Voltage (kV) | Polarity | Coupling Method | Result (Pass/Fail) |
|---------------|--------------|----------|-----------------|--------------------|
| L1-L2 | 1 | Positive | Capacitive | Pass |
| L1-PE | 2 | Positive | Capacitive | Pass |
| L2-PE | 2 | Positive | Capacitive | Pass |
| L1-L2 | 1 | Negative | Capacitive | Pass |
| L1-PE | 2 | Negative | Capacitive | Pass |
| L2-PE | 2 | Negative | Capacitive | Pass |

Performance & Result:

Criteria A: The apparatus continues to operate as intended. No degradation of performance or loss of function is allowed below a performance level specified by the manufacturer, when the apparatus is used as intended. In some cases the performance level may be replaced by a permissible loss of performance.

Criteria B: The apparatus continues to operate as intended after the test. No degradation of performance or loss of function is allowed below a performance level specified by the manufacturer, when the apparatus is used as intended. In some cases the performance level may be replaced by a permissible loss of performance. During the test, degradation of performance is however allowed.

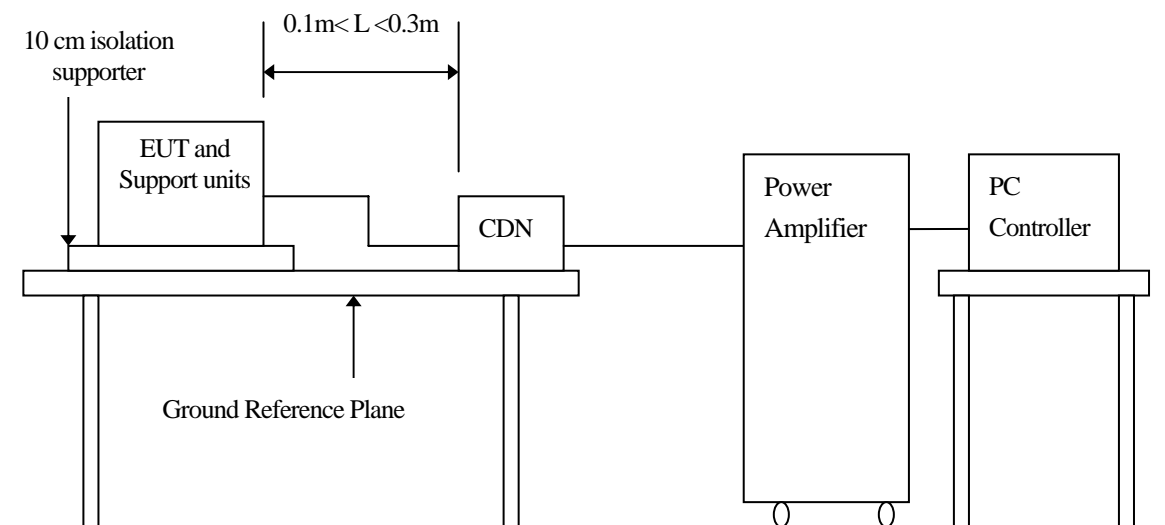
Criteria C: Temporary loss of function is allowed, provided the functions self recoverable or can be restored by the operation of controls.

| |
|--|
| <input checked="" type="checkbox"/> PASS <input type="checkbox"/> FAILED |
|--|

SECTION 7 EN 61000-4-6(CONDUCTED DISTRBANCE/INDUCED BY RADIO-FREQUENCY FIELD)

| | |
|-----------------------------|-----------------------------------|
| Port | : On Power Supply Lines |
| Basic Standard | : EN 61000-4-6 |
| Requirements | : 3V with 80% AM. 1kHz Modulation |
| Injection Method | : CDN |
| Performance Criteria | : A (Standard require) |
| Temperature | : 25°C |
| Humidity | : 50% |

Block Diagram of Test Setup:



Test Procedure:

1. The EUT and support units were located at a ground reference plane with the interposition of a 0.1 m thickness insulating support and the CDN was located on GRP directly.
2. Set up all the devices regularly according to the standard.
3. Set up EUT and relative support equipments. Then ping the IP from PC to EUT.Keep the program running throughout the test
4. Related peripherals work during the test.
5. Setting the testing parameters of CS test software per EN 61000-4-6.
6. Recording the test result in following table.

Test conditions:

Frequency Range : 0.15MHz-80MHz

Frequency Step : 1% of fundamental

Dwell Time : 1 sec

| Range (MHz) | Field | Modulation | Result (Pass/Fail) |
|-------------|-------|------------|--------------------|
| 0.15-80 | 3V | Yes | Pass |

Performance & Result:

Criteria A: The apparatus continues to operate as intended. No degradation of performance or loss of function is allowed below a performance level specified by the manufacturer, when the apparatus is used as intended. In some cases the performance level may be replaced by a permissible loss of performance.

Criteria B: The apparatus continues to operate as intended after the test. No degradation of performance or loss of function is allowed below a performance level specified by the manufacturer, when the apparatus is used as intended. In some cases the performance level may be replaced by a permissible loss of performance. During the test, degradation of performance is however allowed.

Criteria C: Temporary loss of function is allowed, provided the functions self-recoverable or can be restored by the operation of controls.

PASS **FAILED**

SECTION 8 EN 61000-4-11 (VOLTAGE DIPS, SHORT INTERRUPTIONS AND VOLTAGE VARIATIONS)

VOLTAGE DIPS / SHORT INTERRUPTIONS

Port : On Power Supply Lines

Basic Standard : EN 61000-4-11

Requirement : PHASE ANGLE 0, 45, 90, 135, 180, 225, 270, 315 degrees

| Voltage Dips | Test Level | Reduction | Duration | Performance |
|--------------|------------|-----------|-------------|-------------|
| | % U_T | (%) | (periods) | Criteria |
| | <5 | >95 | 0.5 | B |
| 70 | 30 | 25 | C | |

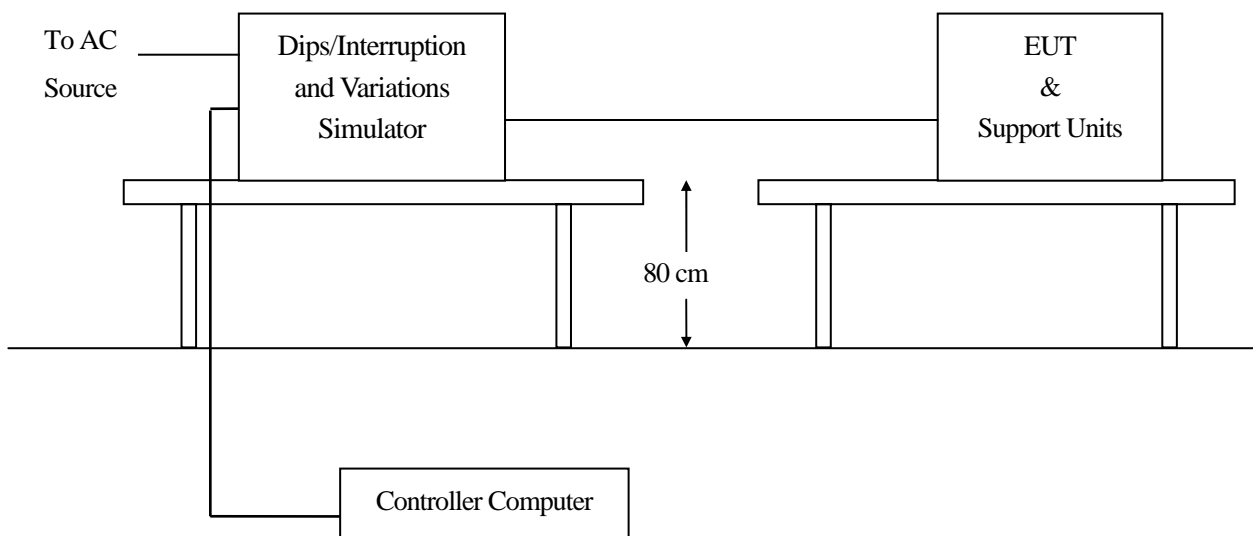
| Voltage Interruptions | Test Level | Reduction | Duration | Performance |
|-----------------------|------------|-----------|-------------|-------------|
| | % U_T | (%) | (periods) | Criteria |
| <5 | >95 | 250 | C | |

Test Interval : Min. 10 sec.

Temperature : 25°C

Humidity : 50%

Block Diagram of Test Setup:



Test Procedure:

1. The EUT and support units were located on a wooden table, 0.8 m away from ground floor.
2. Set up all the devices regularly according to the standard.
3. Set up EUT and relative support equipments. Then ping the IP from PC to EUT .Keep the program running throughout the test
4. Setting the parameter of tests and then Perform the test software of test simulator.
5. Conditions changes to occur at 0 degree crossover point of the voltage waveform.
6. Recording the test result in test record form.

Test conditions:

The duration with a sequence of three dips/interruptions with interval of 10 s minimum
 (Between each test event)

Voltage Dips:

| Test Level % U _T | Reduction (%) | Duration (periods) | Observation | Meet Performance Criteria |
|--------------------------------|------------------|------------------------|-------------|------------------------------|
| 0 | 100 | 0.5 | Normal | A |
| 70 | 30 | 25 | Normal | A |

Voltage Interruptions:

| Test Level % U _T | Reduction (%) | Duration (periods) | Observation | Meet Performance Criteria |
|--------------------------------|------------------|------------------------|---|------------------------------|
| 0 | 100 | 250 | EUT shut down, but can recover by operator. | C |

Performance & Result:

Criteria A: The apparatus continues to operate as intended. No degradation of performance or loss of function is allowed below a performance level specified by the manufacturer, when the apparatus is used as intended. In some cases the performance level may be replaced by a permissible loss of performance.

Criteria B: The apparatus continues to operate as intended after the test. No degradation of performance or loss of function is allowed below a performance level specified by the manufacturer, when the apparatus is used as intended. In some cases the performance level may be replaced by a permissible loss of performance. During the test, degradation of performance is however allowed.

Criteria C: Temporary loss of function is allowed, provided the functions self recoverable or can be restored by the operation of controls.

| |
|--|
| <input checked="" type="checkbox"/> PASS <input type="checkbox"/> FAILED |
|--|

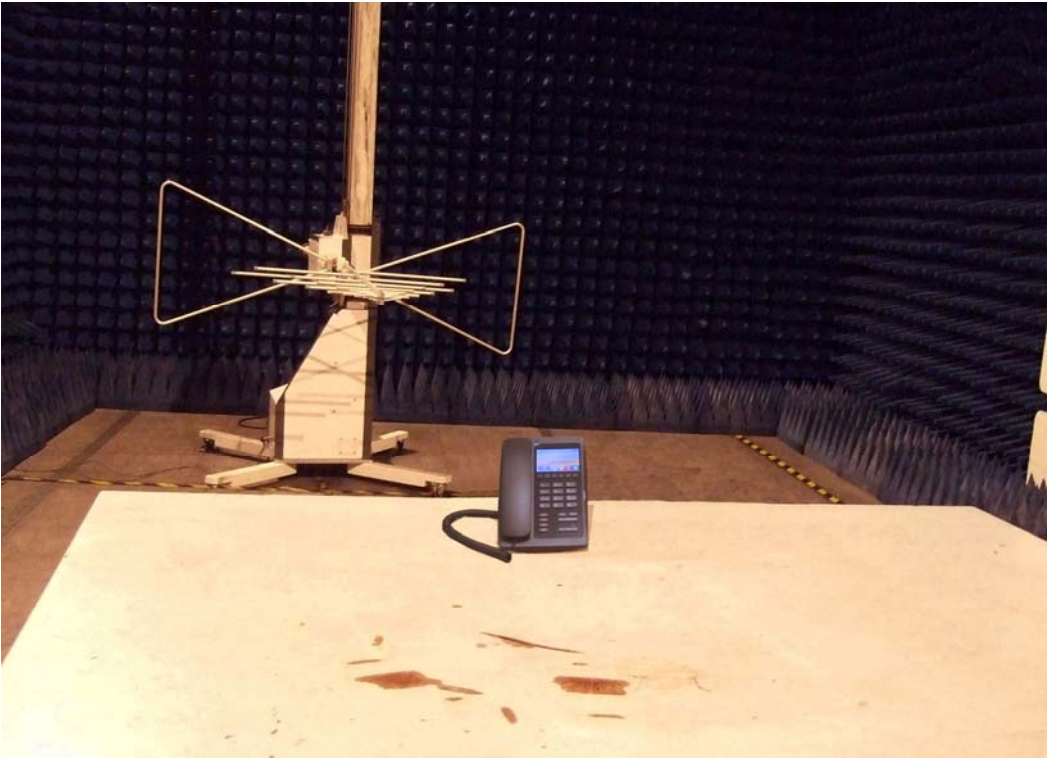
APPENDIX 1

PHOTOGRAPHS OF TEST SETUP

CONDUCTED EMISSION TEST



RADIATED EMISSION TEST (EN 50561-1)



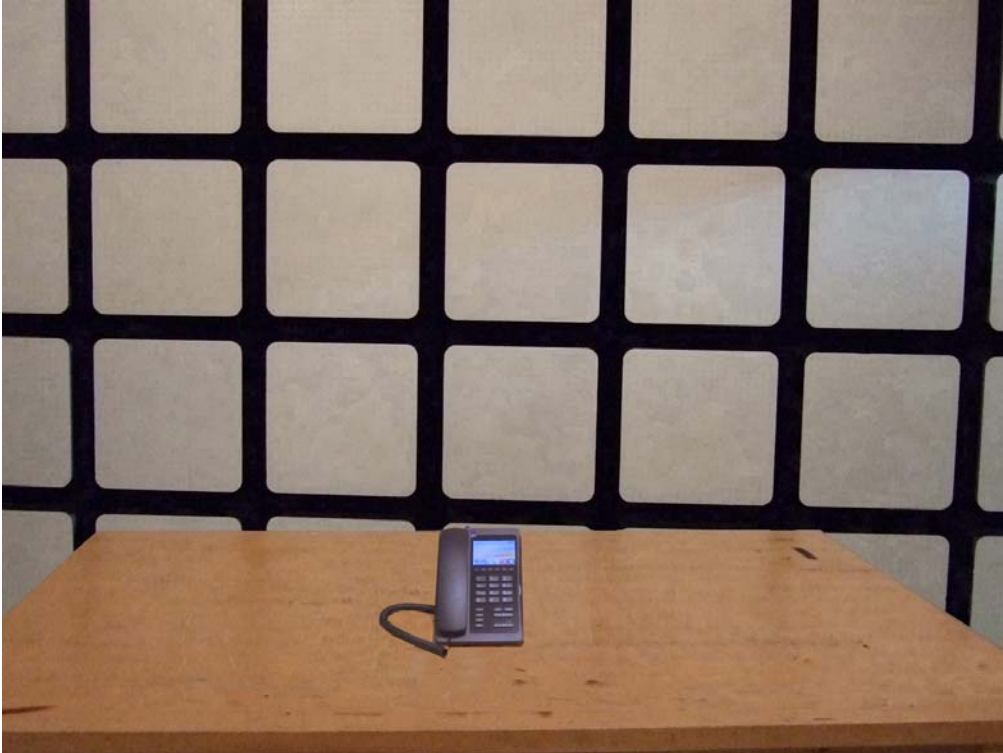
POWER HARMONIC & VOLTAGE FLUCTUATION / FLICKER TEST (EN 61000-3-2, EN 61000-3-3)



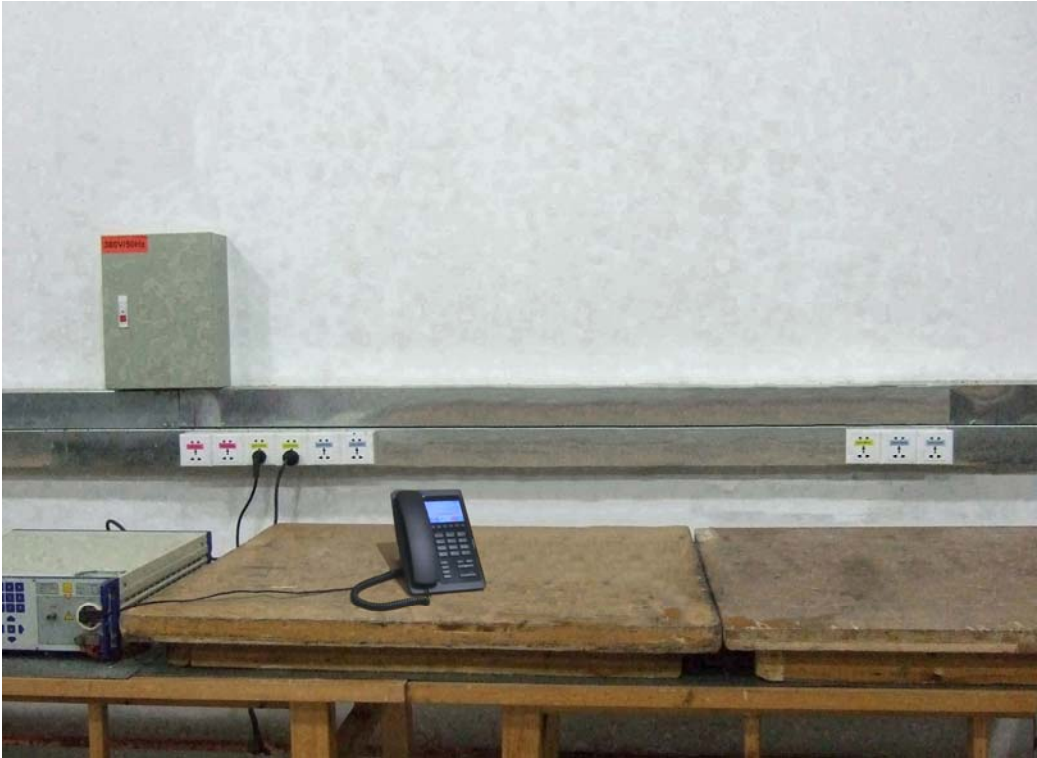
ELECTROSTATIC DISCHARGE TEST (EN 61000-4-2)



RADIATED ELECTROMAGNETIC FIELD (EN 61000-4-3)



FAST TRANSIENTS/BURST TEST (EN 61000-4-4)



SURGE IMMUNITY TEST (EN 61000-4-5)



CS (EN 61000-4-6)



VOLTAGE DIPS / INTERRUPTION TEST (EN 61000-4-11)



APPENDIX 2

PHOTOGRAPHS OF EUT

TOPVIEW OF EUT



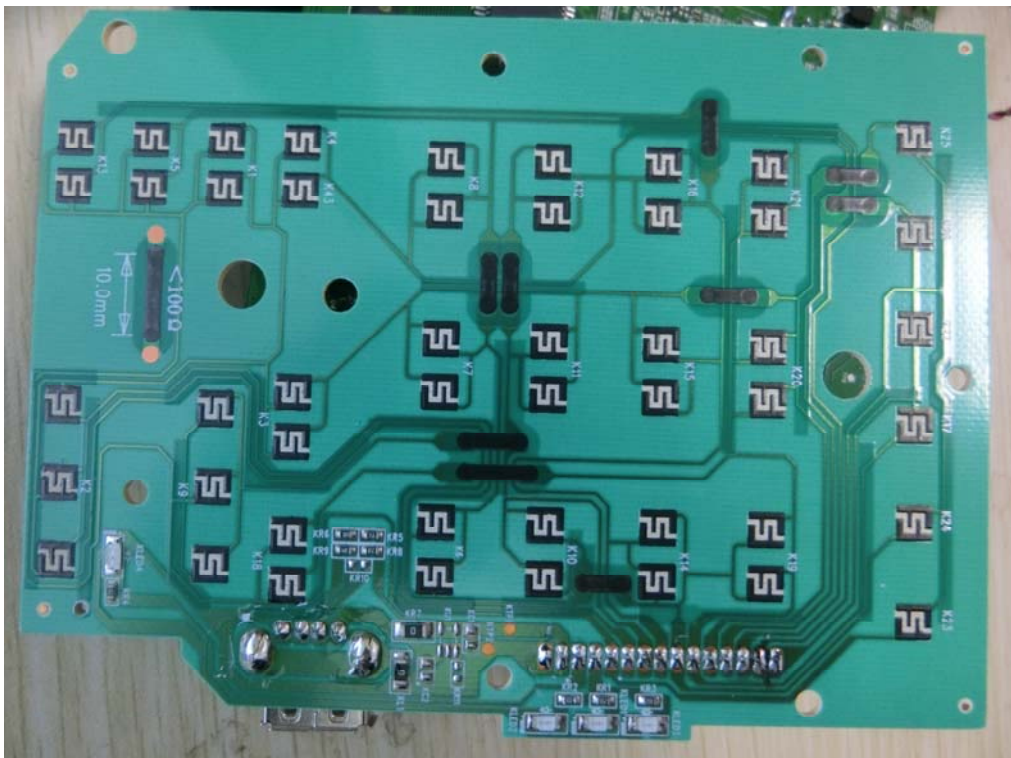
BOTTOMVIEW OF EUT



OPEN OVERVIEW OF EUT



MAIN PCB1



MAIN PCB2



KEYBOARD PCB

