

C62
VoIP Phone

HD 
WWW.FANVIL.COM

VoIP Phone C62 Quick Installation Guide



Fanvil

Smart VoIP

This phone can be set through the LCD or web page.
If you own this product to make some VoIP calls, an Ethernet-based Cable or a DSL modem with an active connection to the Internet are necessary.

Check Your Package Contents

These are the items included with your C62 IP Phone purchase:



VoIP Phone C62



Handset



Power adaptor



Handset cord



Quick Installation Guide



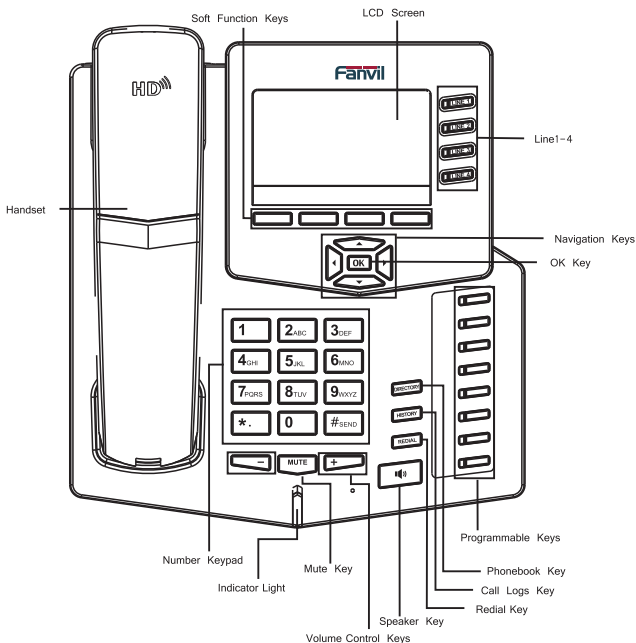
Base bracket



Ethernet Cable

2 The Appearance of Product

Front view and keypad function:

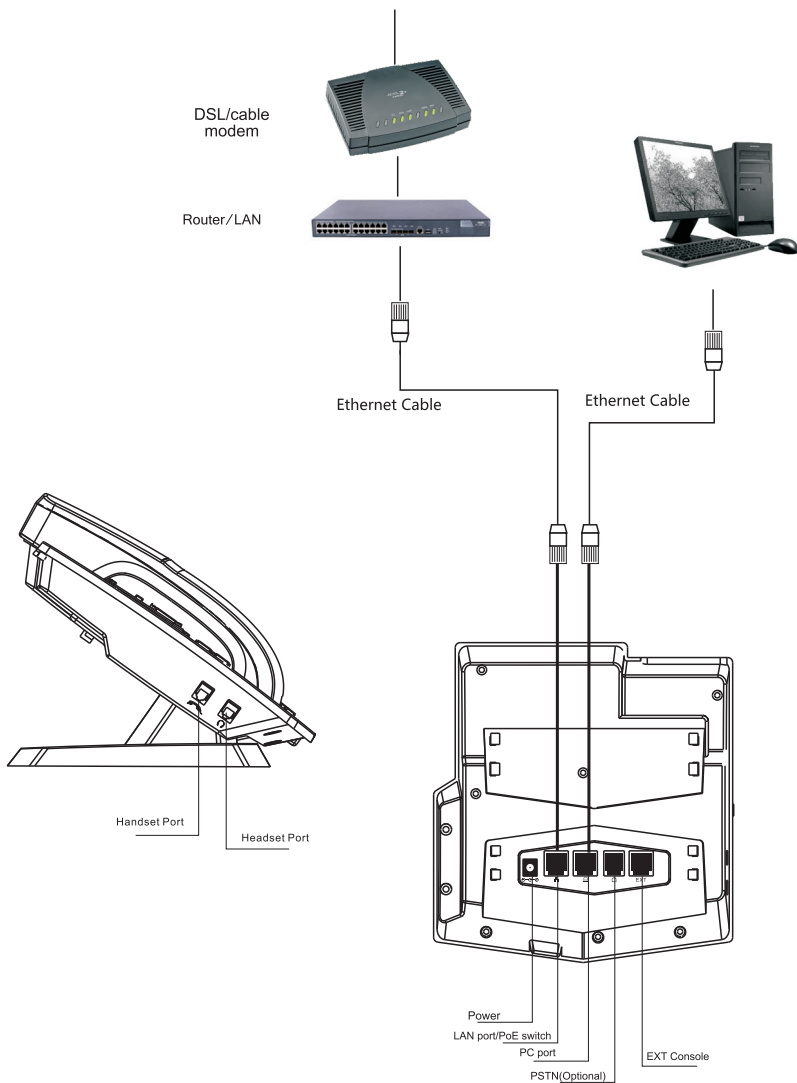


You can press these number keys one or more times to complete the corresponding input when you want do some input on the LCD.

Key	Text Mode		Key	Text Mode	
	Normal(ABC)	Numeric(0-9)		Normal(ABC)	Numeric(0-9)
1		1	7 _{PQRS}	PQRSpqrs	7
2 _{ABC}	ABCabc	2	8 _{TUV}	TUVtuv	8
3 _{DEF}	DEFdef	3	9 _{WXYZ}	WXYZwxyz	9
4 _{GHI}	GHIghi	4	0		0
5 _{JKL}	JKLjkl	5	* .	#@.:/\$%& () < > [] _ = + - ?	*
6 _{MNO}	MNOmno	6	#SEND		#

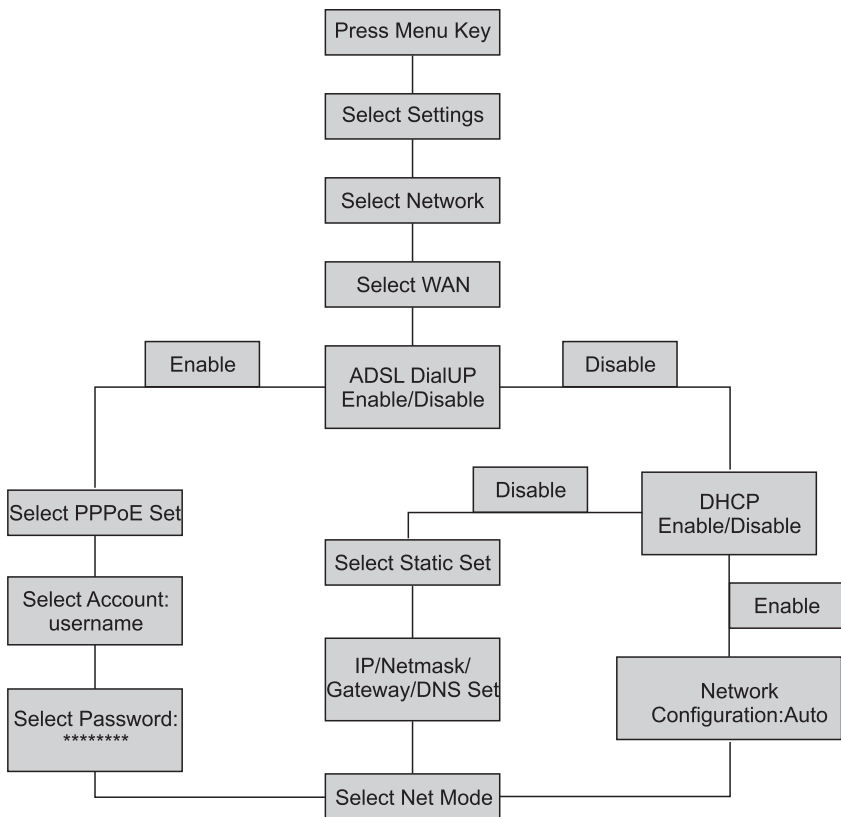
3 Connecting IP Phone

Connect the IP Phone as shown by the following diagram:



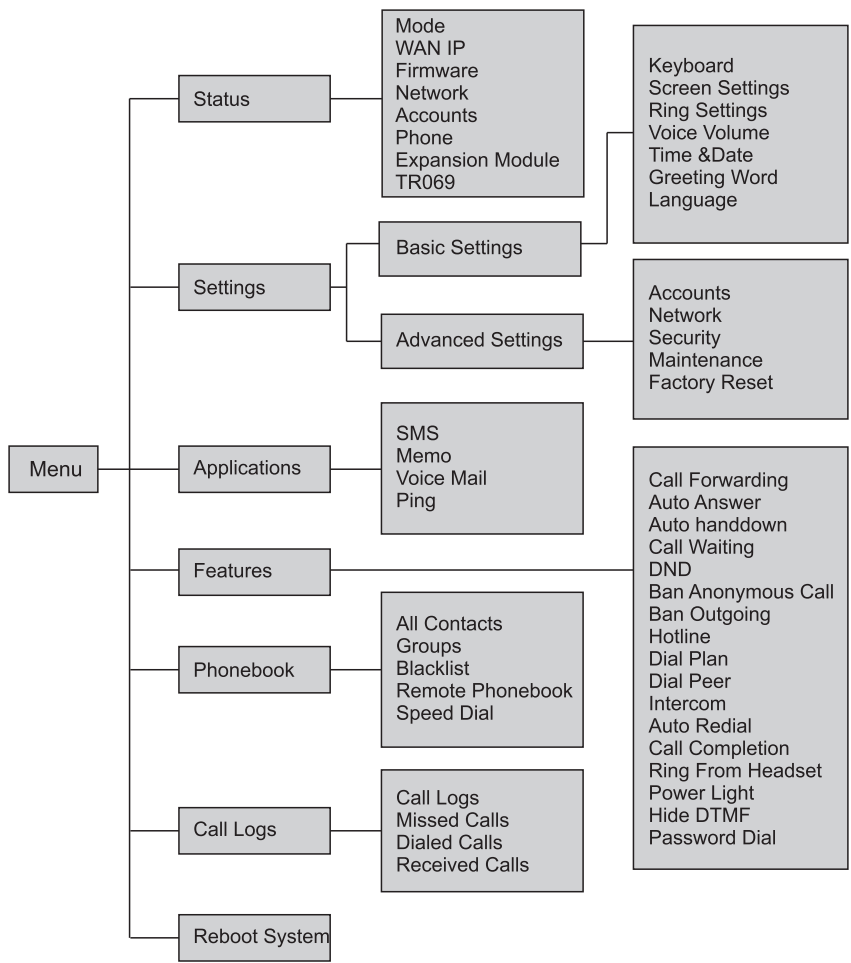
4 IP Phone Setup Menu(1)

Network mode Settings diagram:



5 IP Phone Setup Menu(2)

The menu of phone Structure:



6 Configuration(1)

Web Login

The configuration menu of C62 can be accessed using the convenient and userfriendly interface of a web browser.



Open the browser and type into the IP address which can be found in the status of the LCD menu(e.g. http://192.168.1.16) to visit the Web page and make some configuration.



Enter the username and password, and both of the default username and password are "admin". After your logon, the Web page will be displayed as follows.

Fanvil C62

STATUS WIZARD CALL LOG MMI SET

BASIC

NETWORK

VOIP

PHONE

FUNCTION KEY

MAINTENANCE

SECURITY

LOGOUT

Network

WAN		LAN	
Connect Mode	DHCP	IP Address	192.168.10.1
MAC Address	00:01:03:9f:99:00	DHCP Server	ON
IP Address	192.168.1.43		
Gateway	192.168.1.1		

Phone Number

SIP LINE 1	4160@192.168.1.2 :5060	Registered
SIP LINE 2	@ :5060	Unapplied
SIP LINE 3	@ :5060	Unapplied
SIP LINE 4	@ :5060	Unapplied
TRX2	@:4569	Unapplied

7 Configuration(2)

Network - PPPoE Setting

Select Network from the main menu.

Select PPPoE as network connection type if your ISP uses PPPoE. (Most DSL users use PPPoE.)

The screenshot shows the Fanvil C62 web interface with the 'NETWORK' menu selected. The 'WAN' tab is active, displaying 'WAN Status' and 'WAN Settings'.

WAN Status

Active IP Address	192.168.1.17
Current Subnet Mask	255.255.255.0
Current IP Gateway	192.168.1.1
MAC Address	00:aa:59:c5:29:52
MAC Timestamp	20111028

WAN Settings

Obtain DNS Server Automatically: Enabled

Static IP: DHCP: PPPoE:

Service Name:

User:

Password:

802.1X Settings

User:

Password:

Enable 802.1X:

Network - Static Setting

Select Static as network connection type if all Wide Area Network IP is provided to you by your ISP.

The screenshot shows the Fanvil C62 web interface with the 'NETWORK' menu selected. The 'WAN' tab is active, displaying 'WAN Status' and 'WAN Settings'.

WAN Status

Active IP Address	192.168.1.17
Current Subnet Mask	255.255.255.0
Current IP Gateway	192.168.1.1
MAC Address	00:aa:59:c5:29:52
MAC Timestamp	20111028

WAN Settings

Static IP: DHCP: PPPoE:

IP Address:

Subnet Mask:

IP Gateway:

DNS Domain:

Primary DNS:

Secondary DNS:

802.1X Settings

User:

Password:

Enable 802.1X:

8 Configuration(3)

Network - DHCP Setting

Select DHCP as network connection type if your access network supports DHCP.

The screenshot shows the Fanvil C62 web interface. The 'NETWORK' tab is selected in the top navigation bar. On the left sidebar, 'NETWORK' is highlighted. The main content area is divided into three sections: 'WAN Status', 'WAN Settings', and '802.1X Settings'.
WAN Status:
Active IP Address: 192.168.1.17
Current Subnet Mask: 255.255.255.0
Current IP Gateway: 192.168.1.1
MAC Address: 00:a8:39:c5:29:52
MAC Timestamp: 20111028
WAN Settings:
Obtain DNS Server Automatically: Enabled (dropdown menu)
Static IP:
DHCP:
PPPoE:
An 'Apply' button is located below these settings.
802.1X Settings:
User: admin (text input)
Password: ***** (password input)
Enable 802.1X:
An 'Apply' button is located below these settings.

SIP Settings

Select SIP settings from the main menu. The follow fields such as Server Address, Server Port, Authentication User, Authentication Password and SIP User are required. Then check Enable Registration and click Apply to register your phone to the SIP server.

The screenshot shows the Fanvil C62 web interface with the 'SIP' tab selected in the top navigation bar. On the left sidebar, 'SIP' is highlighted. The main content area shows the 'SIP Line' dropdown set to 'SIP 1'.
Basic Settings >>
Status: Registered
Server Address: 192.168.1.2
Server Port: 5060
Authentication User: 8076
Authentication Password: *****
SIP User: 8076
Display Name: (empty)
Enable Registration:
Domain Realm: (empty)
Proxy Server Address: (empty)
Proxy Server Port: (empty)
Proxy User: (empty)
Proxy Password: (empty)
Backup Server Address: (empty)
Backup Server Port: (empty)
Server Name: (empty)
Advanced SIP Settings >>
An 'Apply' button is located below the Advanced SIP Settings section.
SIP Global Settings >>

Server Address

Server Port

Authentication User

Authentication Password

SIP user

SIP server address

SIP server port number

Username for logging into the SIP server

Password for logging into the SIP server

SIP phone number



Make a Phone Call

IP Address:

- 1.Lift the handset or press the speaker button or headset button to enter the dialer interface.
2. Dial IP address.

For example: Input #192.168.0.1# in the dialer interface, you will call the device whose IP address is 192.168.0.1.

SIP Number:

Note: You have to register with SIP server to use SIP number.

- 1.Lift the handset or press the speaker button or headset button to enter the dialer interface.
- 2.Dial SIP number.

For example: Input 1866

- 3.Press "#" button or wait until the timer expires.

