

语音门禁i20T安装示意图

网络、电源、锁的连接

CN7					
开关接口		LAN (超五类网线接法)			
1	2	3	4	5	6
S1_o	S1_i	TX+	TX-	RX-	RX+
室内开关					



CN6												
外接 12V DC		电锁驱动			WAN (超五类网线接法)							
1	2	3	4	5	6	7	8	9	10	11		
+12V	GND	NC	COM	NO	POE+	POE+	POE-	POE-	TX+	TX-	RX-	RX+
12V /1A DC		LOCK										

电锁驱动选择



外部电源驱动跳线



内部电源驱动跳线

【注意】当电锁启动电流小于500mA/12V时，可以使用内部驱动模式，直接用语音门禁的Poe或12V DC来驱动电锁开/关；如果电锁启动电流大于500mA/12V时，需要使用外部驱动模式，即由专用的门禁直流电源来对电锁进行驱动开/关。

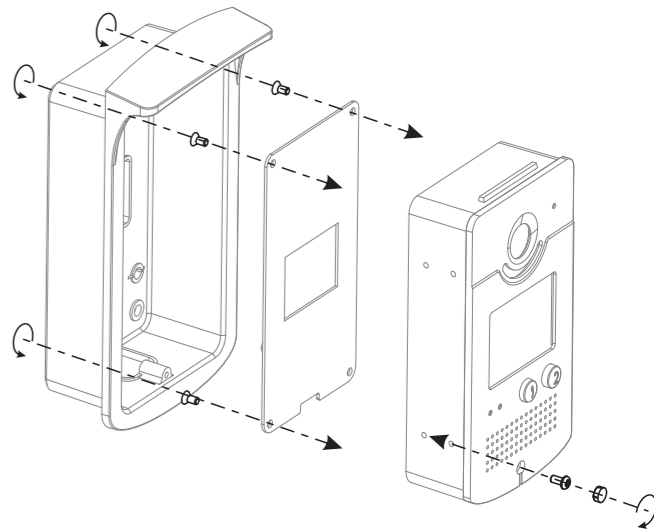
继电器连接说明

NO：空闲状态下是断开的(常开);
COM:继电器的触点(中间);
NC：空闲状态下是连通的(常闭);

锁供电方式		电锁		跳线	接线方式
内部	外部	NO	NC	Jp1	
✓		✓		内部驱动 1 2 3 4	
	✓		✓	外部驱动 1 2 3 4	
✓			✓	内部驱动 1 2 3 4	
	✓		✓	外部驱动 1 2 3 4	

锁供电方式		电锁		跳线	接线方式
内部	外部	NO	NC	Jp1	
	✓		✓	外部驱动 1 2 3 4	

安装示意图



Voice Access i20T Installation Diagram



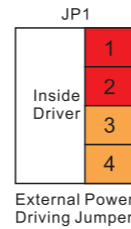
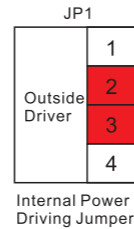
Network Power. Electric Lock Connection

CN7					
Switch		LAN(UTP Cable Connection)			
1	2	3	4	5	6
S1_o	S1_i	TX+	TX-	RX-	RX+
Indoor switch					



CN6												
Output 12V DC		Electric Lock Driver			WAN(UTP Cable Connection)							
1	2	3	4	5	6	7	8	9	10	11		
+12V	GND	NC	COM	NO	POE+	POE+	POE-	POE-	TX+	TX-	RX-	RX+
12V /1A DC		LOCK										

Electric Lock Connection Driver Option



(Note)When the initial electric current of the lock is less than 500mA/12V, you can access to the internal driven mode and use the POE of the Voice Access System or 12V DC to control the the switch of the electric lock; When the initial electric current of the lock is more than 500mA/12V, you need to access to the external driven mode(Use specialized DC power to control the electric lock)

Relay connection description

NO: means idle-disconnected contact (normally open)
COM: means a pin contact(middle);
NC: means an idle-connected contact(normally close)

Electric lock power supply mode		Electric lock		Jumper	Mode of connection				
Internal	External	NO	NC	Jp1					
✓		✓		<table border="1"> <tr><td>1</td></tr> <tr><td>2</td></tr> <tr><td>3</td></tr> <tr><td>4</td></tr> </table> Inside Driver	1	2	3	4	
1									
2									
3									
4									
	✓		✓	<table border="1"> <tr><td>1</td></tr> <tr><td>2</td></tr> <tr><td>3</td></tr> <tr><td>4</td></tr> </table> Outside Driver	1	2	3	4	
1									
2									
3									
4									
✓			✓	<table border="1"> <tr><td>1</td></tr> <tr><td>2</td></tr> <tr><td>3</td></tr> <tr><td>4</td></tr> </table> Inside Driver	1	2	3	4	
1									
2									
3									
4									
	✓		✓	<table border="1"> <tr><td>1</td></tr> <tr><td>2</td></tr> <tr><td>3</td></tr> <tr><td>4</td></tr> </table> Outside Driver	1	2	3	4	
1									
2									
3									
4									

Electric lock power supply mode		Electric lock		Jumper	Mode of connection				
Internal	External	NO	NC	Jp1					
	✓	✓		<table border="1"> <tr><td>1</td></tr> <tr><td>2</td></tr> <tr><td>3</td></tr> <tr><td>4</td></tr> </table> Outside Driver	1	2	3	4	
1									
2									
3									
4									

Installation Diagram

