

# 语音门禁i21/i21T安装示意图



i21

i21T

## 网络、电源、锁的连接



i21/i21T内部接线图

## 其他功能接口

接口	功能	备注
J15	音频输出接口,用于连接外部功放	
J14	用于外部信号灯的驱动(用于指示设备处于来电状态和通话状态). IO30A: 来电状态和通话状态输出高电平;其他状态,输出低电平. IO30B: 来电状态和通话状态输出低电平;其他状态,输出高电平.	
J50	两组输入检测口和两组联动输出口	

## 电锁和室内开门接口

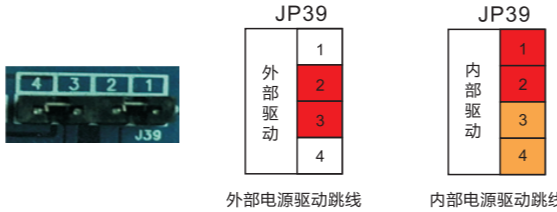
J16		电锁接口		
室内开门开关接口		3	4	5
1	2	NC	COM	NO
S_IN	S_OUT			
连接室内按键开关		常开、常闭接口		

## 电源和网络接口

CN1	CN6	CN7
外接电源	广域网接口	局域网接口
12V DC	WAN	LAN

其他功能接口									
J15		J14		J50					
音频输出口		状态指示		预留	地线	输入口2	输入口1	输出口2	输出口1
1	2	1	2	1	2	3	4	5	6
SPK-	SPK+	IO30B	IO30A	IO10	GND	IN2	IN1	OUT2	OUT1

## 电锁驱动选择



【注意】当电锁启动电流小于500mA/12V时,可以使用内部驱动模式,直接用语音门禁的Poe或12V DC来驱动电锁开/关;如果电锁启动电流大于500mA/12V时,需要使用外部驱动模式,即由专用的门禁直流电源来对电锁进行驱动开/关。

## 继电器连接说明

NO: 空闲状态下是断开的(常开);  
COM: 继电器的触点(中间);  
NC: 空闲状态下是连通的(常闭);

锁供电方式		电锁		跳线	接线方式
内部	外部	NO	NC	JP39	
✓				内部驱动 1 2 3 4	
	✓			外部驱动 1 2 3 4	

锁供电方式		电锁		跳线	接线方式
内部	外部	NO	NC	JP39	
	✓	✓		外部驱动 1 2 3 4	
✓			✓	内部驱动 1 2 3 4	
	✓	✓		外部驱动 1 2 3 4	
✓			✓	外部驱动 1 2 3 4	

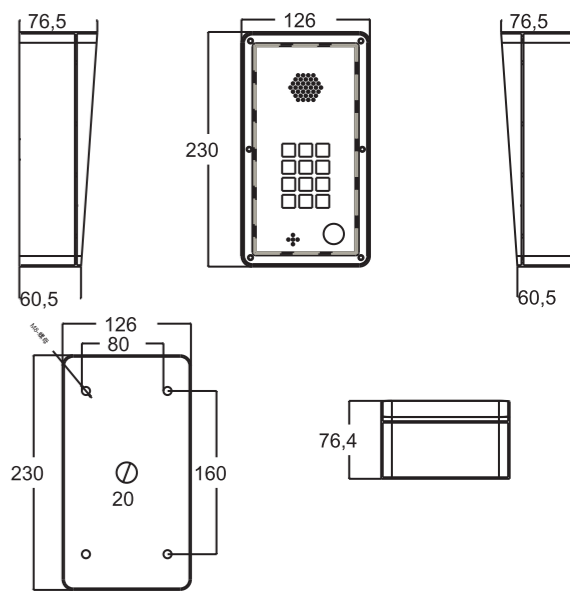
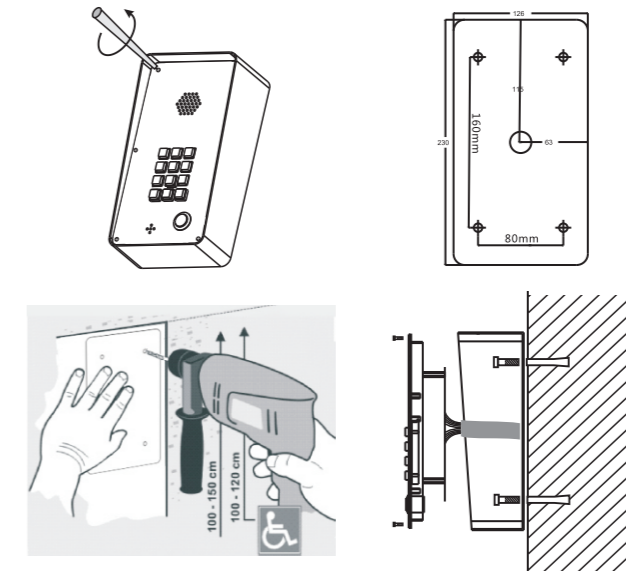
## 安装示意图

### 壁挂式安装:

- 1) 使用i21/i21T自带的螺丝工具,把面壳的螺丝卸下;
- 2) 按照方位提供的安装模板尺寸在墙上画出安装孔,使用电钻打好孔。
- 3) 把防爆螺丝打入墙内,使用配套的黑色螺丝把底壳固定在墙上;
- 4) 连接好电源线和网线后,用螺丝把面壳固定好。

### 在户外安装时需要注意:

- 1) 避免雨水沿着线流入壳内;
- 2) 最好可以在终端和墙间增加一个防雨罩。



# Voice Access i21/i21T Installation Diagram



i21

i21T

## Network, Power Switch, Electric Lock Connection



Electric LOCK and indoor switch connection

J16				
Indoor switch		Electric Lock Driver		
1	2	3	4	5
S_IN	S_OUT	NC	COM	NO

Connect to the switch      Normally open, normally close port

Power supply and Network connection

CN1	CN6	CN7
Power supply	WAN port	LAN port
12V DC	WAN	LAN



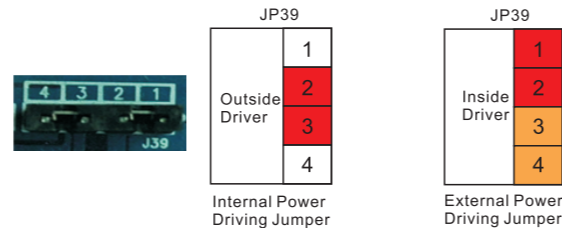
i21/i21T connection

## Description of Connectors

PIN	Function	Remark
J15	Audio output interface for connecting an external amplifier	
J14	Use to indicate the call status IO30A: Ringing status and talking status output high; other states, output low IO30B: Ringing status and talking status output low; other states, output high.	
J50	Two input ports(IN1 and IN2) and two linkage detection output port(OUT1 and OUT2)	

Other features Interface									
J15		J14		J50					
Audio Output		Status Indicate		Reserve	GND	Input Port 2	Input Port 1	Output Port 2	Output Port 1
1	2	1	2	1	2	3	4	5	6
SPK-	SPK+	IO30B	IO30A	IO10	GND	IN2	IN1	OUT2	OUT1

## Electric Lock Connection Driver Option



**【 Notice】** When the initial electric current of the lock is less than 500mA/12V, you can access to the internal driven mode and use the POE of the Voice Access System or 12V DC to control the the switch of the electric lock ; When the initial electric current of the lock is more than 500mA/12V, you need to access to the external driven mode(Use specialized DC power to control the electric lock )

## Relay connection description

NO: means idle-disconnected contact (normally open)  
COM: means a pin contact(middle);  
NC: means an idle-connected contact(normally close)

Electric lock power supply mode	Electric lock		Jumper	Mode of connection
	Internal	External	JP39	
✓		✓		

Electric lock power supply mode	Electric lock		Jumper	Mode of connection
	Internal	External	JP39	
		✓		
✓		✓		
	✓	✓		
✓		✓		

## Installation Diagram

### Equipment installation

#### Wall-mounted:

- 1) Use i21/i21T comes with screws tool to remove the screw shell surface;
- 2) in accordance with the direction provided in the wall mounting template dimensions to draw mounting holes, use an electric drill to lay the holes.
- 3) The proof screws into the wall, use matching black screws fixed to the wall of the pan;
- 4) After connecting the power cord and network cable, screw the surface shell fixed.

When outdoor installation requires attention:

- A) avoid rainwater flows into the shell along the line;
- 2) the best you can add a rain cover between the terminal and the wall.

