

i20/i21T

WWW.FANVIL.COM

Voice Access Control i21/i21T Quick Installation Guide



i21



i21T

Fanvil

Introduction

Package Contents



i21/i21PT Access Control



Amphenol Connector



Software CD



Quick Installation Guide



RFID Card(Optional)



Screw



pic 1

Interface Description

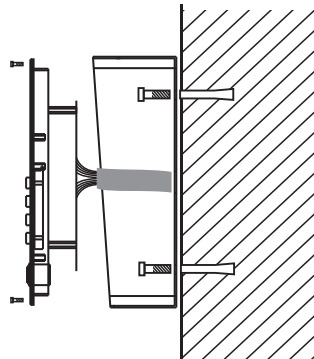
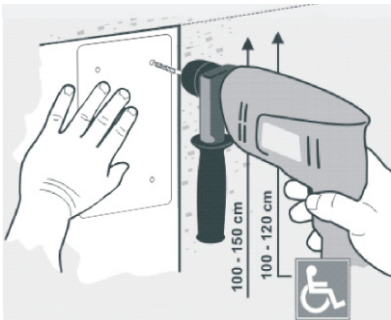
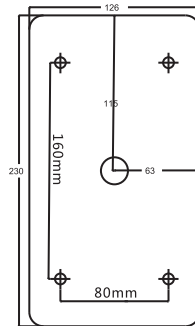
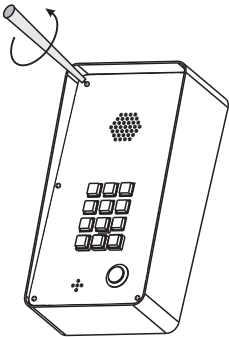
Equipment installation

Wall-mounted:

- 1) Use i21/i21T comes with screws tool to remove the screw shell surface;
- 2) in accordance with the direction provided in the wall mounting template dimensions to draw mounting holes, use an electric drill to lay the holes.
- 3) The proof screws into the wall, use matching black screws fixed to the wall of the pan;
- 4) After connecting the power cord and network cable, screw the surface shell fixed.

When outdoor installation requires attention:

- A) avoid rainwater flows into the shell along the line;
- 2) the best you can add a rain cover between the terminal and the wall.



Interface Description




Network, Power Switch, Electric Lock Connection



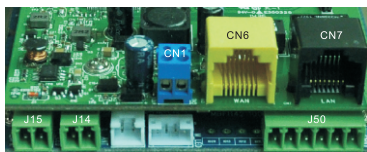
Electric LOCK and indoor switch connection

J16				
Indoor switch		Electric Lock Driver		
1	2	3	4	5
S_IN	S_OUT	NC	COM	NO
Connect to the switch		Normally open, normally close port		

Power supply and Network connection

Cn1	CN6	CN7
Power supply	WAN port	LAN port
12V DC	WAN	LAN
		

pic4



i2/i2T connection(pic3)

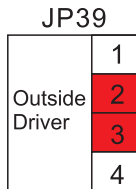
Description of Connectors

PIN	Function	Remark
J15	Audio output interface for connecting an external amplifier	
J14	Use to indicate the call status IO30A: Ringing status and talking status output high; other states, output low IO30B: Ringing status and talking status output low; other states, output high.	
J50	Two input ports(IN1 and IN2) and two linkage detection output port(OUT1 and OUT2)	

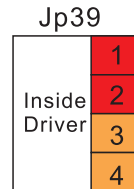
Interface Description

Other features Interface									
J15		J14		J50					
Audio Output		Status Indicate		Reserve	GND	Input Port 2	Input Port 1	Output Port 2	Output Port 1
1	2	1	2	1	2	3	4	5	6
SPK-	SPK+	IO30B	IO30A	IO10	GND	IN2	IN1	OUT2	OUT1

Electric Lock Connection Driver Option



External Power Driving



Internal Power Driving

pics

[Notice] When the initial electric current of the lock is less than 500mA/12V, you can access to the internal driven mode and use the POE of the Voice Access System or 12V DC to control the the switch of the electric lock ; When the initial electric current of the lock is more than 500mA/12V, you need to access to the external driven mode(Use specialized DC power to control the electric lock)

Relay connection description :

NO : means idle-disconnected contact (normally open)

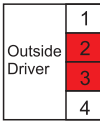
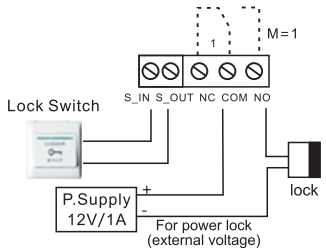

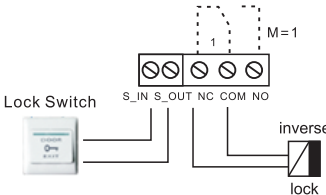
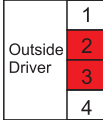
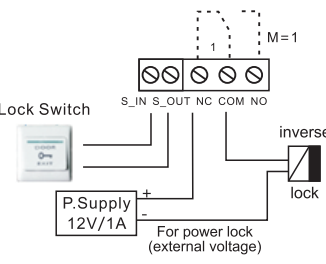
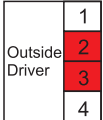
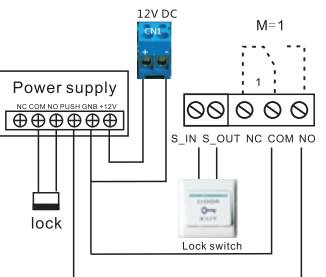
COM: means a pin contact(middle) ;

NC : means an idle-connected contact(normally close)

Electric lock power supply mode		Electric lock		Jumper	Mode of connection								
Internal	External	NO	NC	JP39									
√		√		<table border="1"> <tr> <td></td> <td>1</td> </tr> <tr> <td>Inside Driver</td> <td>2</td> </tr> <tr> <td></td> <td>3</td> </tr> <tr> <td></td> <td>4</td> </tr> </table>		1	Inside Driver	2		3		4	
	1												
Inside Driver	2												
	3												
	4												

pic 6

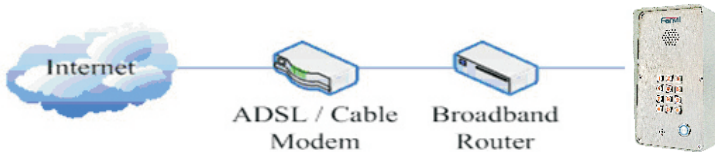
Interface Description

Electric lock power supply mode		Electric lock		Jumper	Mode of connection
Internal	External	NO	NC	JP39	
	✓	✓			
✓			✓		
	✓		✓		
	✓	✓			

Voice Access Configuration

1. Connect to the network

Plug one side of a cable to the WAN socket of i21/i21T, then the connection of hardware is finished. In most of time, you should reset your network to DHCP mode.



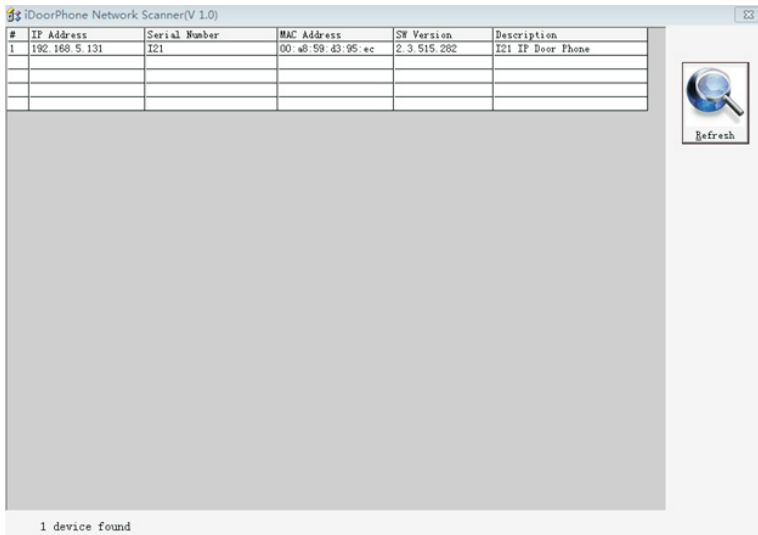
pic 8

2. Get Device IP Address

How to get IP Address :

Method 1. Use iDoorPhoneNetworkScanner tool

- 1) Install enclosed iDoorPhoneNetworkScanner tool;
- 2) Ensure the computer which installed iDoorPhoneNetworkScanner.exe is in the same network with i21/i21T Voice Access Controller.
- 3) Run iDoorPhoneNetworkScanner.exe to search corresponding device's IP address.



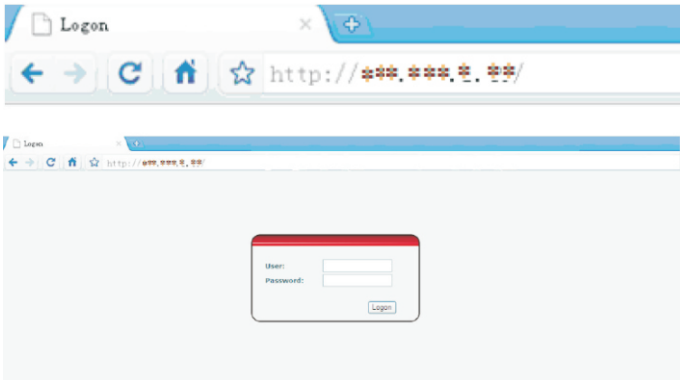
pic 9

Method 2: Press "#" key for 5 seconds, the controller will report it IP number by itself.

Voice Access Configuration

3. Voice Access SIP account via web

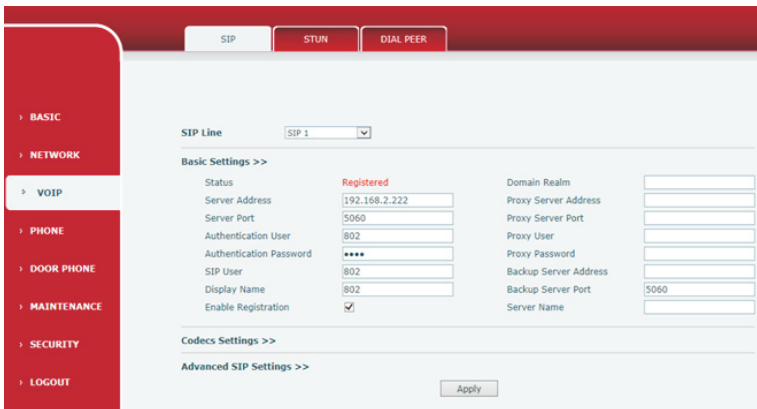
Use your web browser to input its IP address (example: http://192.168.1.149)
The default user name "admin", the password is also "admin".



pic 10

VOIP Account Configuration:

Set SIP server address, port, user name, password and number. Then start registration.



pic 11

Voice Access Configuration

4. Set Speed Dial Key

Setting Speed Dial to call SIP accounts, configuring DSS KEY1 corresponding Type: Hot key, number1: number, number2: number(optional), line: the registered SIP line (the number corresponded to), subtype: Speed Dial. Then submit

Key	Type	Number 1	Number 2	Line	Subtype
DSS Key 1	Hot Key	605	600	SIP1	Speed Dial
DSS Key 2	None			SIP1	None
DSS Key 3	None			SIP1	None
DSS Key 4	None			SIP1	None

Apply

pic 12

5. Parameters setting

Enable Indoor Open: Disable

Open Duration: 5 (3-10 seconds)

Remote Password: []

Door Unlock Indication: Long beeps

Description: 121 IP Door Phone

Dial Mode Select: Main-Secondary

Day Start Time: 06:00 (00:00-23:59)

Address of Log Server: 0.0.0.0

Enable Log Server: Disable

Enable Auto Handdown: Enable

Talk Duration: 120 (20-600 seconds)

Local Password: ****

Keypad Mode: []

Enable Access Table: Enable

Time of Switch: 16 (5-50)

Day End Time: 18:00 (00:00-23:59)

Port of Log Server: 514

Enable numeric keypad: Enable

Apply

Number	Access Code	Name	Position	Department	ID	Access Type
602	602	william	ODM			Guest

Add Access

Number: []

Access Code: []

Name: []

Department: []

Position: []

ID: []

Add

pic 13

Voice Access Configuration

Voice Access Configuration		
Setting Item	Function	Initial Value
Open Time	Time for open the door, if time is up, the door will be closed automatically.	5S
Enable Auto Handdown	When this function enable. After time is up, the call will be ended automatically.	Enable
Holding Time	After time is up, the call will be ended automatically.	120S
Remote Openig Time	Remote opening password.	*
Local PIN	Local password for the keypad	6789
Tone settings	Mute/Short beeps/Long beeps	Bell ringing
Keypad mod i20T Valid	Password only(Prohibit call)/Password-Dial	Dialing and password input
Description	Displayed on iDoor Phone Network Scanner software	i21/i21T IP door phone
Remote phonebook settings	Enabling access phone: when remote phone calls, input access code first then input password to open the door. Disabling access phonebook: when remote phone calls, input password only.	Enable
Enable numeric keypad	Provide keyboard function	open
Enable Card Reader	Provide card reader function	open
Dial Mode Select	<Primary /Secondary>mode corresponds to the first number in one-button Call function, <Day/Night>mode corresponds to the second number in one-button Call function	Primary /secondary
Time of Switch	The period between one-button Call function to call the first and second number	16S
Day Start Time	When select <Day/Night>mode, the time to start Day time	06:00
Day End Time	When select <Day/Night>mode, the time to end up Day time	18:00
Address of Log Server	Log server address (IP)	
Port of Log Server	Log server port (0-65535, default:514)	
Enable Log Server	Enable or Disable the log server	Disable
Enable Indoor Open	Use to disable or enable the indoor open function	Disable
Remote Phonebook		
Number	Remote phone number	
Authentication code	Access code for visitor. When remote phone calls, if the number is in access list, you can input access code to open the door.	When IP phone calls, it needs to input authentication code to control voice access controller.
Type of Host	When owner calls, controller answer automatically, when visitor calls, controller mute.	
Name	Card holder's name	
Position	Card holder's position	
Department	Card holder's department	
Card number	RFID's number	

Voice Access Configuration

5. Visitor Calls, Remote Open the Door

- 1) Visitor presses speed-dial key to call the owner.
- 2) Owner answers the call and presses “*” key to open the door from visitor.

6. Owner Remote Opens the Voice Access Controller by VOIP Phone

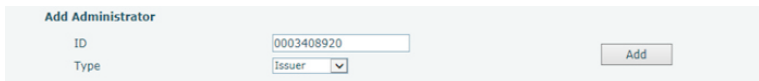
- 1) Owner calls the Voice Access Controller by VOIP Terminal.
- 2) the Voice Access Controller answers the call automatically.
- 3) Owner enter Authentication code by VOIP Terminal's keypad to open the door.

7. Card Management

Issue Card Management

- 1) Issue <issue administration card>

Input available card number to ID input field, choose Issuer, then press Add to add Issue Administration Card.

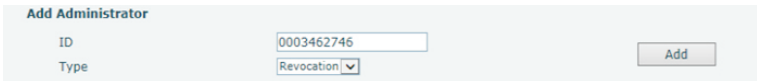


The screenshot shows a form titled "Add Administrator". It has two input fields: "ID" with the value "0003408920" and "Type" with a dropdown menu set to "Issuer". There is an "Add" button to the right of the form.

pic 14

- 2) Issue <Delete administration card>

Input available card number to ID input field, choose “Revocation”, then press Add to add Delete Administration Card.



The screenshot shows a form titled "Add Administrator". It has two input fields: "ID" with the value "0003462746" and "Type" with a dropdown menu set to "Revocation". There is an "Add" button to the right of the form.

pic 15

3) Administration Card List



ID	Date	Type
0003408920	December 06 16:47	Issuer
0003462746	December 06 16:48	Revocation

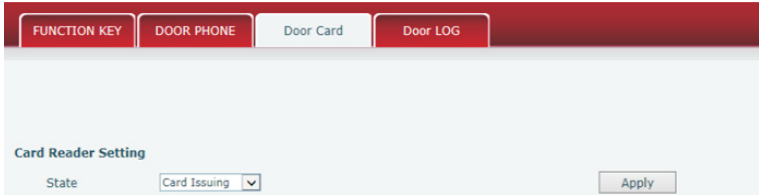
pic 16

Voice Access Configuration

7.2 Issue User Card

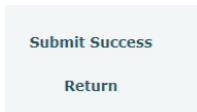
Issue User Card (method 1):

1) Choose “Card Issuing” in “Door Card”.



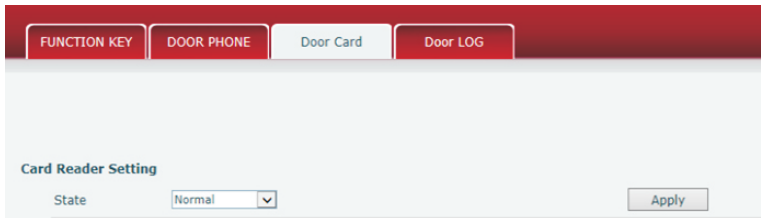
pic 17

2) Press “Apply” to submit new User Card.



3) Put IC card on the Reader Sensing Area, and make sure the reader responded.

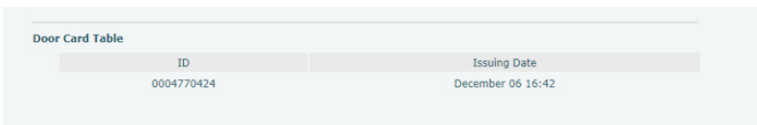
4) Choose “Normal” in the Card Reader Setting.



pic 18

5) Press “Apply”.

6) You can check the issuing records in “Door Card Table”



ID	Issuing Date
0004770424	December 06 16:42

pic 19

Issue the User Card (Method 2):

1) Put Issue Administration Card on the Reader Sensing Area, the controller is on the state of issuing.

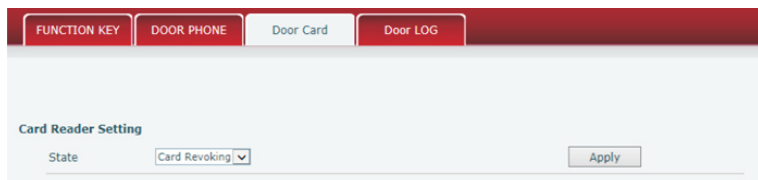
2) Put IC card on the Reader Sensing Area, and make sure the reader responded.

3) Put Issue Administration Card on the Reader Sensing Area again to sign out issuing, then the reader is back to the normal state

Voice Access Configuration

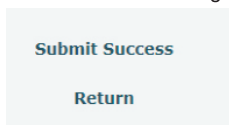
7.3 Delete the user card (Method 1):

1) Choose "Card Issuing" in "Door Card".



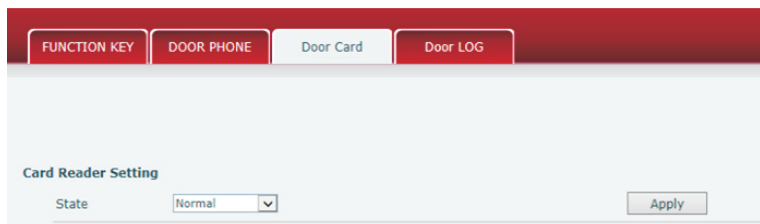
pic 20

2) Press "Apply" to enter the state of deleting card,



3) Put IC card on the Reader Sensing Area, and make sure the reader responded.

4) Choose "Normal" in the "Card Reader Setting".



pic 21

5) Press "Apply".

Delete the user card (Method 2):

1) Put Issue Administration Card on the Reader Sensing Area, the controller is on the state of deleting.

2) Put IC card on the Reader Sensing Area, and make sure the reader responded.

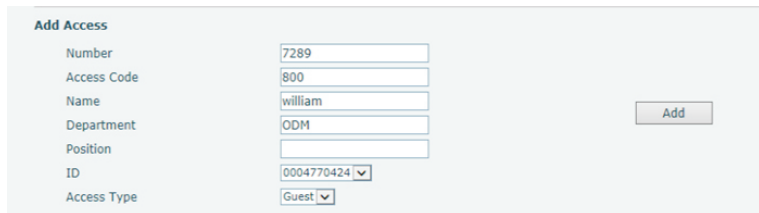
3) Put Issue Administration Card on the Reader Sensing Area again to sign out deleting, then the reader is back to the normal state.

Voice Access Configuration

8. Add Remote Visit Data

1) Add new number

After finish filling accounts, choose the number for the user, press "Add".

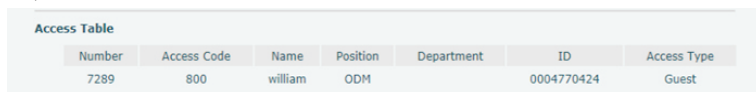


Add Access

Number	<input type="text" value="7289"/>
Access Code	<input type="text" value="800"/>
Name	<input type="text" value="william"/>
Department	<input type="text" value="ODM"/>
Position	<input type="text"/>
ID	<input type="text" value="0004770424"/>
Access Type	<input type="text" value="Guest"/>

pic 22

2) Remote Visit Table



Number	Access Code	Name	Position	Department	ID	Access Type
7289	800	william	ODM		0004770424	Guest

pic 23

9. Restore factory settings

Press "*"key for 5 seconds, the controller will restore factory settings by itself

Fanvil
ESDAII